

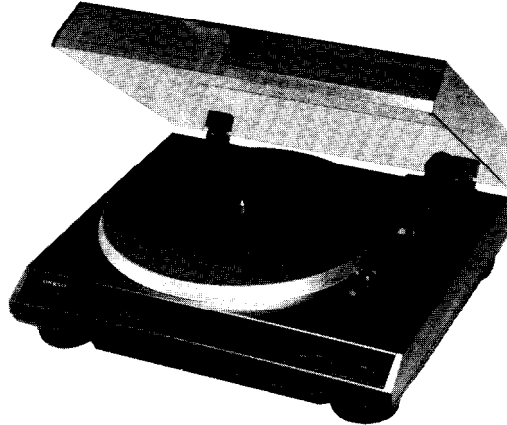


Deze download wordt u gratis aangeboden door Pick-upnaalden.nl

Web : [www.pickupnaalden.com](http://www.pickupnaalden.com)  
Email : [info@pick-upnaalden.nl](mailto:info@pick-upnaalden.nl)  
Facebook : [www.facebook.com/pickupnaalden](http://www.facebook.com/pickupnaalden)  
Twitter : [twitter.com/Pickupnaalden](https://twitter.com/Pickupnaalden)  
Google+ : [https://plus.google.com/+FCaris\\_pickupnaalden](https://plus.google.com/+FCaris_pickupnaalden)

# ONKYO SERVICE MANUAL

## AUTOMATIC RETURN TURNTABLE MODEL CP-1116A



UDN, UDC, UD	120V AC, 60Hz
UGV, UG	220V AC, 50Hz
UW	120 or 220V AC, 50/60Hz
UQA, UQB	240V AC, 50Hz

### SAFETY-RELATED COMPONENT WARNING!!

COMPONENTS IDENTIFIED BY MARK  $\triangle$  ON THE SCHEMATIC DIAGRAM AND IN THE PARTS LIST ARE CRITICAL FOR RISK OF FIRE AND ELECTRIC SHOCK. REPLACE THESE COMPONENTS WITH ONKYO PARTS WHOSE PARTS NUMBERS APPEAR AS SHOWN IN THIS MANUAL.

MAKE LEAKAGE-CURRENT OR RESISTANCE MEASUREMENTS TO DETERMINE THAT EXPOSED PARTS ARE ACCEPTABLY INSULATED FROM THE SUPPLY CIRCUIT BEFORE RETURNING THE APPLIANCE TO THE CUSTOMER.

### SPECIFICATIONS

Type:	2-speed automatic-return turntable with cueing lever
Turntable Platter:	31cm (12-1/4") Aluminum diecast
Motor:	DC servo
Speeds:	33-1/3rpm, 45rpm
Wow & Flutter:	0.045% WRMS
Signal-to-Noise Ratio:	66dB (IEC-Y, DIN-B)
Tonearm:	Static balanced straight-type pipe arm
Effective Arm Length:	210mm (8-5/16")
Overhang:	13mm (1/2")
Maximum Tracking Error:	+4.5 degrees, -1 degree
Usable Cartridge Weight:	Min. 5.0g, Max. 9.0g
Power Supply:	AC 120V, 60Hz
Dimensions (W x H x D):	418mm x 132mm x 374mm 16-1/2" x 5-1/6" x 14-6/8"
Weight:	3.8kg (8.4lbs.)

Optional Recommended Headshell: SH-21F

In the interest of further product improvements, specifications are subject to change without notice.

**ONKYO**  
**AUDIO COMPONENTS**

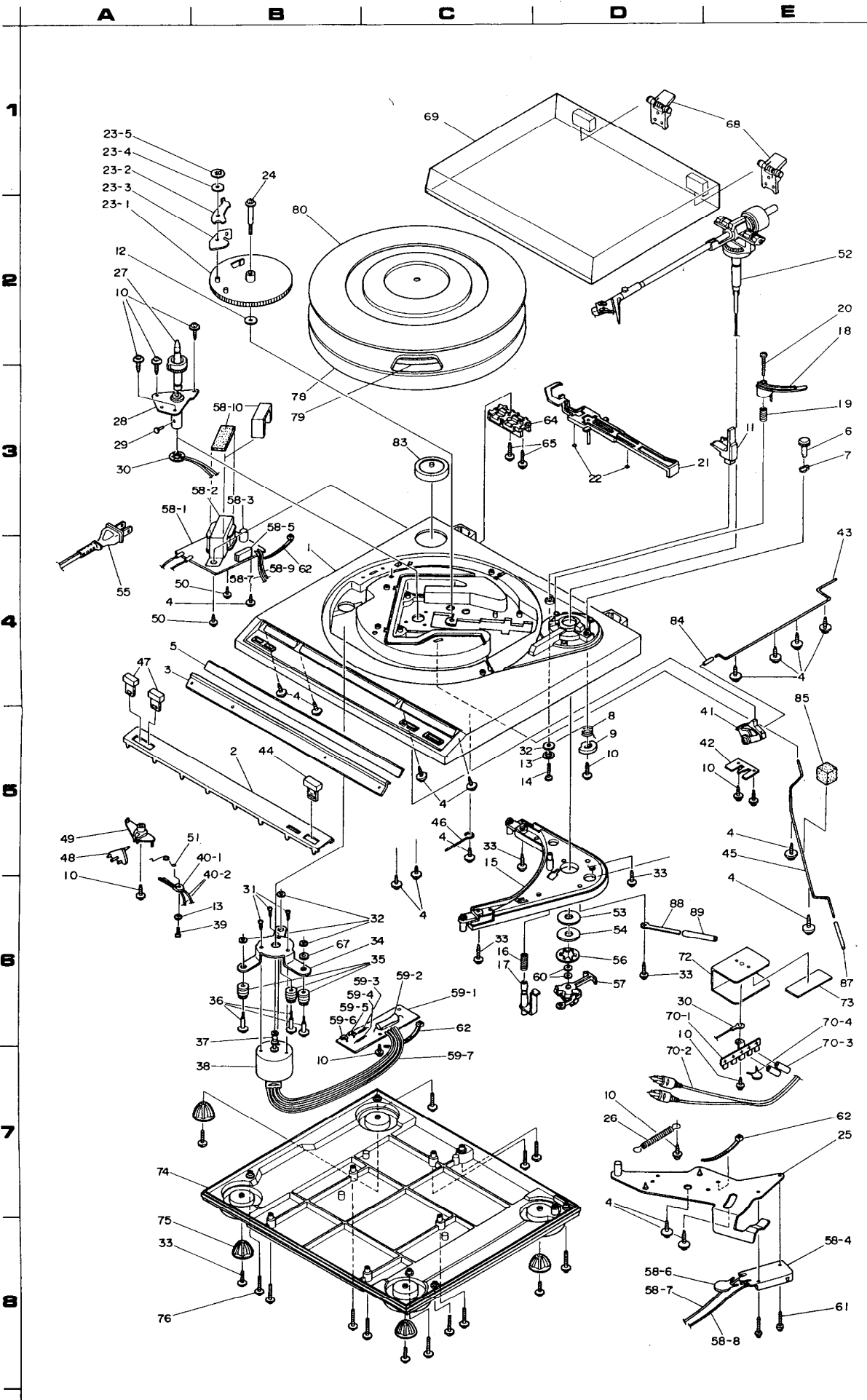
# PARTS LIST

REF.NO.	PART NO.	DESCRIPTION								
1	28110413	CABINET (B)	32	87613008	WASHER W3×8F	58-2	2300176	NPT-948D (D)		
	28110414	CABINET (S)	33	831130108	TAP-TIGHT SCREW 3TTW+10B		2300206	NPT-948G (G)		
2	27262435	PLATE (OPE) (B)	34	27141045	BRACKET (MOTOR)		2300208	NPT-948BP (U)		
	27262445	PLATE (OPE) (S)	35	24506331	CUSHION RUBBER		2300207	NPT-948Q (Q)		
3	24509375	COVER (PLATE OPE) (B)	36	801358	SCREW		25065138	VOLTAGE SELECTOR SWITCH (U)		
	24509292	COVER (PLATE OPE) (S)	38	24502206	PHONO MOTOR AS (38+37+59)			MICRO SWITCH		
4	801295	TAPPING SCREW W/WASHER			CONTROL PCB	58-4	24503023	SILVB, DIODE		
5	27262436	PLATE (BLACK)			500Ω, SEMI-FIXDE, 33rpm.	58-5	22380011	CUSHION 30X10X3t (D)		
6	24501571	KNOB AS (I.F.C.)			1KΩ, SEMI-FIXDE, 45rpm.	58-10	24506729	CUSHION 94X20X1.2t (G/U)		
7	24506243	WAVE WASHER			3W47Ω, OXIDEFILM		24506731	WASHER W5X10F		
8	24503131	SPRING (I.F.C.)	39	834430128	TAP-TIGHT SCREW 3TTS+12BB	60	8761501010	PAN-HEAD SCREW 2.6P+14FN		
9	24504271	I.F.C. CAM	40	24504415	LEAF SWITCH	61	82142614	SK BINDER		
10	831430088	TAP-TIGHT SCREW 3TTW+8BBC	41	24603306	CUEING LEVER (B)	62	260208	CORD HOLDER		
		ARM REST AS	42	24504401	CUEING LEVER (S)	64	24506517	TAP-TIGHT SCREW 3TTW+16B		
11	24509294	WASHER W3X8F	43	24504402	HOLDER (LEVER)	65	831430168	WASHER 5.2×12×1.2t		
12	87613008	SPRING WASHER SW-3 BC	44	24504416	QUE ROD	67	24506730	HINGE (B)		
13	871430	TAP-TIGHT SCREW 3TTS+	45	28322097	BUTTON (REJ) (B)	68	28180080	HINGE (S)		
14	834430258	25BC	46	24504404	BUTTON (REJ) (S)	69	28180078	DUST COVER		
		BASE (SUB)	47	24503135	SPRING (REJ)	70	24509320	LUG AS (5P) (D)		
15	24509295	SHAFT (EV)	48	24503136	SPRING (BUTTON)	71	24505180	LUG AS (5P) (G/U)		
16	24503145	ELEVATION PLATE	49	28322098	BUTTON (SP) (B)	72	24505181	WASHER TOW-3		
17	24506660	SPRING	50	24504405	SPEED SELECTOR ARM	73	87313008	SHIELD PLATE		
18	24504321	PAN-HEAD SCREW 3P+14FN	51	24504316	CAM	74	24506208A	UL TAPE TUL-19		
19	24503144	ACTUATING ARM	52	24504417	TAP-TIGHT SCREW 3TTW+12B	75	261021	BOTTOM BOARD		
20	82143014	STEEL BALL	52A	831130128	SPRING (CLICK)	76	27170161	LEG		
21	24506661	MAIN GEAR AS 2	52B	24503113	SCREW	78	27175043	TAP-TIGHT SCREW 3TTS+16BB		
22	270555	CLUTCH	52C	24501528	COUNTER WEIGHT	79	834430168	PLATTER		
23	24506662	CLUTCH GUIDE	52D	24501321A	HEAD SHELL (G/U)	80	24502158	DRIVE BELT		
23-1	24503032	WASHER W3×8F	52E	24501471	OC-70M, CARTRIDGE (G/U)	83	242129B	PLATTER MAT (D)		
23-2	24506663	STOP RING CS-3	52F	24501354	DN-70ST, STYLUS (G/U)	84	24509323	PLATTER MAT (G/U)		
23-3	24506664	SREW	52G	242975	STYLUS PROTECTOR (G/U)	85	24509378	45 RPM ADAPTER		
23-4	87613008	ACTUATING PLATE AS	52G	242976	AC CORD (D)	88	292093	UL, TUBE		
23-5	891030	SPRING (OPE)	56	24501577	AC CORD (G/U)		75230	CUSHION		
24	24506537	PLATTER SHAFT BEARING	57	24500067	CARTRIDGE SCREW 2.6×10 (G/U)		24509373	LUG		
25	24506220	PIN	58	24500079	CARTRIDGE WASHER (G/U)		24506031			
26	24503146	LEAD AS (GND)		24500079	NUT (G/U)					
27	24502163	PAN HEAD SCREW 2.6P+3FBC		24501123	WASHER FW10×22×6					
28	24502164			24506546	RUBBER WASHER					
29	24502165			24509300	AC CORD (D)					
30	24505179			253099C	STOP RING CS-10					
31	82142603			253099A	ACTUATING ARM AS					
				891100	P.C.B AS (POWER) (D)					
				24509301	P.C.B AS (POWER) (G)					
				24502209	P.C.B AS (POWER) (D)					
				24502211	P.C.B AS (POWER) (G)					
				24502212	P.C.B AS (POWER) (U)					

Note:  
(D) : Only 120V model  
(G) : Only 220V model  
(U) : Only Universal model  
(B) : Only black model  
(S) : Only Silver model  
(O) : Only 240V model

NOTE: THE COMPONENTS IDENTIFIED BY MARK **△** ARE CRITICAL FOR LISK OF FIRE AND ELECTRIC SHOCK. REPLACE ONLY WITH PARTS NUMBER SPECIFIED.

# EXPLODED VIEW



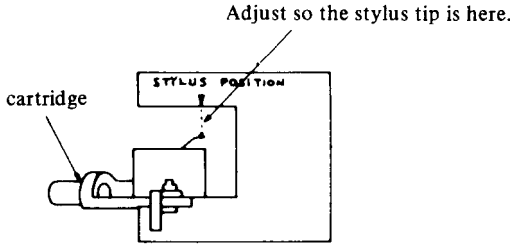
# SERVICE PROCEDURES

## Instruction resistance measurement

Connect the insulating-resistance tester between the plug of power supply cord and chassis.

Specifications: G/W models 500 V more than 10 MΩ

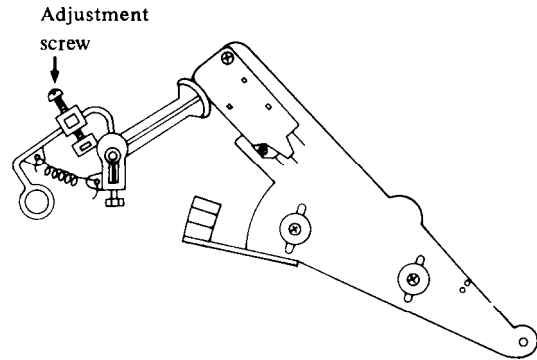
Use the included overhand gauge as shown below, placing the cartridge in the gauge and setting the location of the stylus tip as indicated.



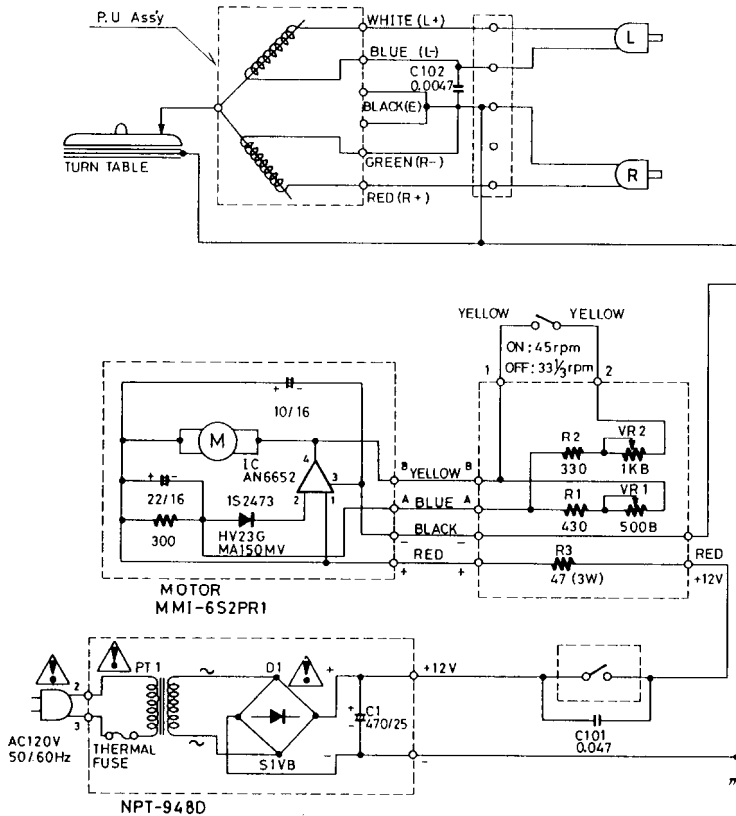
# ADJUSTMENT PROCEDURES

## Automatic shut-off position adjustment

Adjust the shut-off position with the fine adjustment screw. After the adjustment, apply lock-tite to the screw. To adjust the shut-off position for earlier, turn the screw counter-clockwise. To adjust the shut-off position for later, turn the screw clockwise.



# CONNECTION DIAGRAM

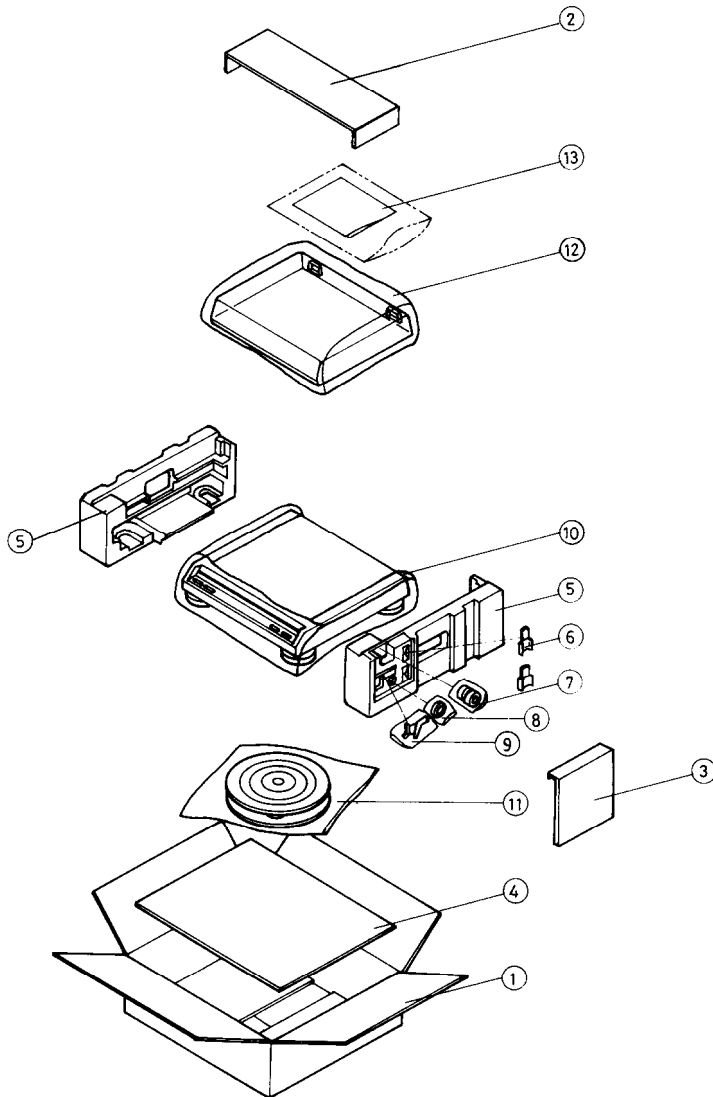


NOTES

POWER	PT 1
AC120V 50/60Hz	NPT-948D
AC220V 50Hz	NPT-948G
AC240V 50Hz	NPT-948Q
AC110/120/220/240V 50/60Hz	NPT-948BP

- ALL RESISTORS ARE IN OHMS 1/4 WATT UNLESS OTHERWISE NOTED.
- ALL CAPASITORS ARE IN μF 50V UNLESS OTHERWISE NOTED.
- ELECTORLYTIC CAPASITORS (=##) ARE IN μF/WV.
- VOLTAGE (MEASURED WITH V.T.V.M.) (NO INPUT SIGNAL).
- CIRCUIT IS SUBJECT TO CHANGE FOR IMPROVEMENT.

# PACKING VIEW



REF.NO	PART NO.	DESCRIPTION
1	29051474	Master carton box (Black model)
	29051477	Master carton box (Silver model)
2	24509374	Pad sheet(UP)
3	24509372	Pad sheet
4	24509370	Pad Sheet(Bottom)
5	29090822	Pad(L)+Pad(R)
6	28180080	Hinge (Black model)
	28180078	Hinge (Silver model)
7	24501471	Main weight
8	292049A	45 rpm adaptor
9	24501330	Cartridge attachment parts ass'y
	24501354	Headshell (Only 120V model)
	29100002	70×120mm, Poly-vinyl bag for 7, 8 and 9
10	29095152-1	500X800, Protection sheet
11	24509323	T.T Mat
	24502158	Turntable platter
	29100046	370×470, Poly bag
12	24509320	Dust cover
	29100050	Protection sheet
13		Accessory bag complete
<b>120V model</b>		
	29341123	Instruction manual
	24509197	Overhang gauge
	29365019	Warranty card (Only USA model)
	29358002E	Service station list (Only USA model)
	29100006A	250×350 Poly bag
<b>220V model</b>		
	29341124	Instruction manual
	29341162	Instruction manual (I) (Only G model)
	29365020	Warranty card (Only West Germany model)
	29100094	Poly bag
	29100006A	250×350 Poly bag
<b>Universal model</b>		
	29341124	Instruction manual
	29341162	Instruction manual (I)
	25055040	CVK-2, Conversion plug
	29100006A	250×350 Poly bag

## ONKYO CORPORATION

International Division: No. 24 Mori Bldg., 23-5, Nishi-Shimbashi 3-chome, Minato-ku,  
TOKYO 105, JAPAN Tel: 03-432-6987 Fax: 03-436-6979 TLX: 242-3551 ONKYO J

### ONKYO U.S.A. CORPORATION

200 Williams Drive, Ramsey, N.J. 07446, U.S.A. Tel: 201-825-7950 Fax: 201-825-8150

### ONKYO DEUTSCHLAND GMBH ELECTRONICS

Industriestrasse 20, 8034 Germering, WEST GERMANY  
Tel: 089 84 93 20 Fax: 089 84 93 226 TLX: 05-21726 ONKY D