

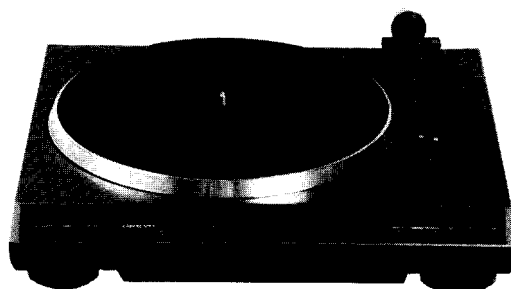


Deze download wordt u gratis aangeboden door Pick-upnaalden.nl

Web : [www.pickupnaalden.com](http://www.pickupnaalden.com)  
Email : [info@pick-upnaalden.nl](mailto:info@pick-upnaalden.nl)  
Facebook : [www.facebook.com/pickupnaalden](http://www.facebook.com/pickupnaalden)  
Twitter : [twitter.com/Pickupnaalden](http://twitter.com/Pickupnaalden)  
Google+ : [https://plus.google.com/+FCaris\\_pickupnaalden](https://plus.google.com/+FCaris_pickupnaalden)

# ONKYO SERVICE MANUAL

## AUTOMATIC RETURN TURNTABLE Model CP-1114A



UDN

120V AC, 60Hz

### SAFETY-RELATED COMPONENT WARNING!!

COMPONENTS IDENTIFIED BY MARK  $\triangle$  ON THE SCHEMATIC DIAGRAM AND IN THE PARTS LIST ARE CRITICAL FOR RISK OF FIRE AND ELECTRIC SHOCK. REPLACE THESE COMPONENTS WITH ONKYO PARTS WHOSE PARTS NUMBERS APPEAR AS SHOWN IN THIS MANUAL.

MAKE LEAKAGE-CURRENT OR RESISTANCE MEASUREMENTS TO DETERMINE THAT EXPOSED PARTS ARE ACCEPTABLY INSULATED FROM THE SUPPLY CIRCUIT BEFORE RETURNING THE APPLIANCE TO THE CUSTOMER.

### SPECIFICATIONS

Type:	2-speed automatic-return turntable with cueing lever
Turntable Platter:	31 cm (12-1/4") Aluminum diecast
Motor:	DC servo
Speeds:	33-1/3 rpm, 45 rpm
Wow & Flutter:	0.045% WRMS
Signal-to-Noise Ratio:	66 dB (DIN-B)
Tonearm:	Lightweight straight-line static balanced pipe tonearm with detachable headshell (ADC type connector) and counterweight with direct tracking force read out.
Effective Arm Length:	210 mm (8-5/16")
Overhang:	13 mm (1/2")
Maximum Tracking Error:	+4.5 degrees, -1 degree
Usable Cartridge Weight:	Min. 5.0 g, Max. 9.0 g
Cartridge:	
Type:	Induced magnet OC-66I
Frequency Response:	20 Hz - 20,000 Hz
Recommended Load Impedance:	47 kohms
Recommended Tracking Force:	2 grams
Output Voltage:	2.5 mV
Replacement Stylus:	DN-66ST
Power Supply:	AC 120V, 60 Hz
Dimensions (W x H x D):	418mm x 128mm x 374mm 16-1/2" x 5" x 14-6/8"
Weight:	3.1 kg (6.8 lbs.)


Optional Recommended Headshell: SH-21F

In the interest of further product improvements, specifications are subject to change without notice.

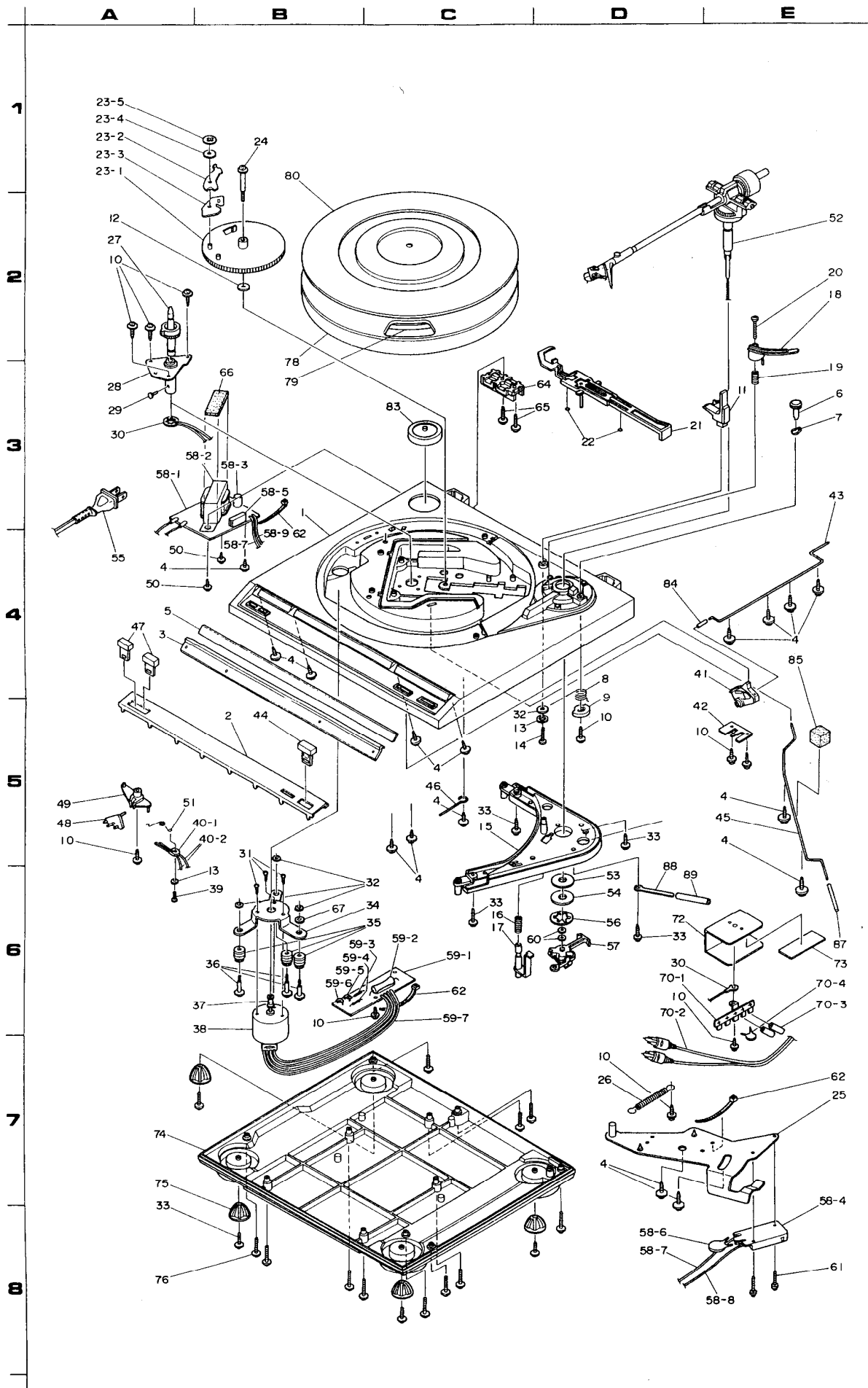
**ONKYO**  
**AUDIO COMPONENTS**

# PARTS LIST

REF. NO.	PART NO.	DESCRIPTION	REF. NO.	PARTS NO.	DESCRIPTION	REF. NO.	PARTS NO.	DESCRIPTION
1	28110413	CABINET	29	24502165	PIN	55	253099C	ACCORD
2	27262428	PLATE (OPE)	30	24505179	LEAD AS (GND)	56	891100	STOP RING CS-10
3	24509375	COVER (PLATE OPE)	31	82142603	PAN HEAD SCREW 2.6P+3FBC	57	24509301	ACTUATING ARM AS
4	801295	TAPPING SCREW W/WASHER	32	87613008	WASHER W3x8F	58	24502209	P.C.B AS (POWER)
5	27262429	PLATE (BLACK)	33	831130108	TAP-TIGHT SCREW 3TTW + 10B	58-2	2300176	NPT-948D
6	24501571	KNOB AS (I.F.C.)	34	27141045	BRACKET (MOTOR)	58-4	24503023	MICRO SWITCH
7	24506243	WAVE WASHER	35	24506331	CUSHION RUBBER	58-5	22380011	SI.VB. DIODE
8	24503131	SPRING (I.F.C.)	36	801358	SCREW	60	8761501010	WASHER W5x10F
9	24504271	I.F.C. CAM	38	24502206	PHONO MOTOR AS (38+37+59)	61	82142614	PAN-HEAD SCREW 2.6P+14FN
10	831430088	TAP-TIGHT SCREW 3TTW + 8BBC			CONTROL PCB	62	260208	SK BINDER
11	24509294	ARM REST AS			5000. SEMI-FIXDE	64	24506517	CORD HOLDER
12	87613008	WASHER W3x8F			1KΩ. SEMI-FIXDE	65	831430168	TAP-TIGHT SCREW 3TTW + 16B
13	871430	SPRING WASHER SW-3 BC			3W470Ω. METAL	66	24506729	CUSHION 30x10 x 3t
14	834430258	TAP-TIGHT SCREW 3TTS + 25BC	39	834430128	TAP-TIGHT SCREW 3TTS + 12BB	67	24506730	WASHER 5.2 x 12 x 1.2t
15	24509295	BASE (SUB)	40	24504415	LEAF SWITCH	70	24505180	LUG AS (5P)
16	24503145	SPRING (EV)	41	24603306	CUEING LEVER	71	87313008	WASHER TOW-3
17	24506660	SHAFT (EL)	42	24504402	HOLDER (LEVER)	72	24506208A	SHIELD PLATE
18	24504321	ELEVATION PLATE	43	24504416	QUE ROD	73	261021	UL TAPE TUL-19
19	24503144	SPRING	44	28322097	BUTTON (REJ)	74	27170161	BOTTOM BOARD
20	82143014	PAN-HEAD SCREW 3P+14FN BC	45	24503135	SPRING (REJ)	75	27175043	LEG
21	24506661	ACTUATING ARM	46	24503136	SPRING (BUTTON)	76	834430168	TAP-TIGHT SCREW 3TTS + 16BB
22	270555	STEEL BALL	47	28322098	BUTTON (SP)	78	24502158	PLATTER
23-1	24506662	MAIN GEAR AS 2	48	24504316	SPEED SELECTOR ARM	79	242129B	DRIVE BELT
23-2	24506663	MAIN GEAR AS	49	24504417	CAM	80	24509323	PLATTER MAT
23-3	24506664	CLUTCH	50	831130128	TAP-TIGHT SCREW 3TTW + 12B	83	292093	45 RPM ADAPTER
23-4	87613008	WASHER W3x8F	51	24503113	SPRING (CLICK)	84	75230	UL TUBE
23-5	891030	STOP RING CS-3	52	24501528	SCREW	85	24509373	CUSHION
24	24506537	SCREW	52A	24501321A	COUNTER WEIGHT	87	79003	UL TUBE
25	24506220	ACTUATING PLATE AS	52B	24501471	HEAD SHELL	88	24506031	LUG
26	24503146	SPRING (OPE)	52C	24501354	OC-66I. CARTRIDGE	89	79007	UL TUBE
27	24502163	PLATTER SHAFT	52D	242967	DN-66ST. STYLUS			
28	24502164	PLATTER SHAFT BEARING	52E	242968	STYLUS PROTECTOR			
			52F	24501541	CARTRIDGE SCREW 2.6x8			
			52G	242112	CARTRIDGE WASHER			
			52H	24500079	NUT			
			52I	24501555	WASHER FW10x22x.6			
			53	24506546	RUBBER WASHER			
			54	24509300				

**NOTE:** THE COMPONENTS IDENTIFIED BY MARK  ARE CRITICAL FOR RISK OF FIRE AND ELECTRIC SHOCK. REPLACE ONLY WITH PARTS NUMBER SPECIFIED.

# EXPLODED VIEW



## SERVICE PROCEDURES

### Instruction resistance measurement

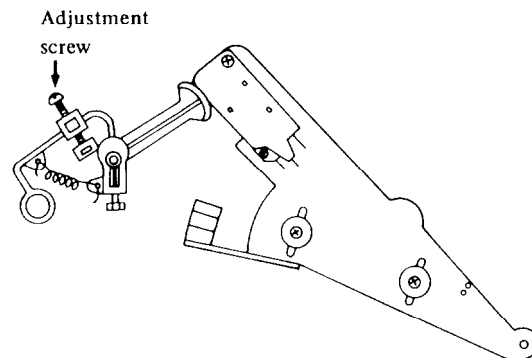
Connect the insulating-resistance tester between the plug of power supply cord and chassis.

Specifications: 500 V more than 10 MΩ

## ADJUSTMENT PROCEDURES

### Automatic shut-off position adjustment

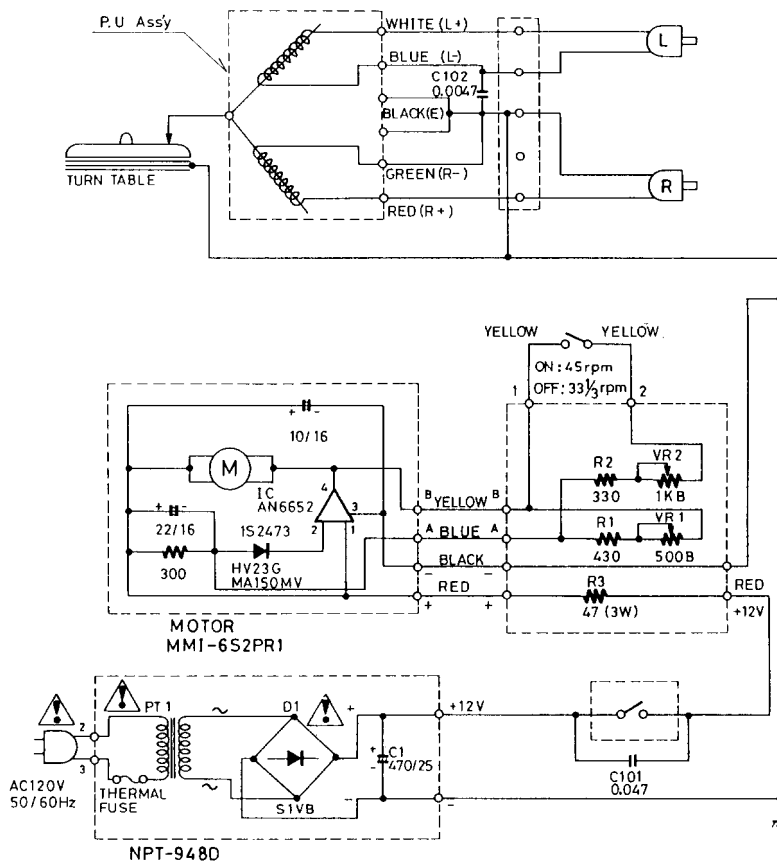
Adjust the shut-off position with the fine adjustment screw. After the adjustment, apply lock-tite to the screw. To adjust the shut-off position for earlier, turn the screw counter-clockwise. To adjust the shut-off position for later, turn the screw clockwise.



### Return count

Using test record ONK-1000. 3 m/m pitch return count is 9~16 count.

## CONNECTION DIAGRAM



### NOTES

- ALL RESISTORS ARE IN OHMS 1/4 WATT UNLESS OTHERWISE NOTED.
- ALL CAPASITORS ARE IN μF 50WV UNLESS OTHERWISE NOTED.
- ELECTORLYTIC CAPACITORS (=##) ARE IN μF/WV.
- VOLTAGE (MEASURED WITH V.T.V.M.) (NO INPUT SIGNAL).
- CIRCUIT IS SUBJECT TO CHANGE FOR IMPROVEMENT.

