



Deze download wordt u gratis aangeboden door Pick-upnaalden.nl

Web : [www.pickupnaalden.com](http://www.pickupnaalden.com)  
Email : [info@pick-upnaalden.nl](mailto:info@pick-upnaalden.nl)  
Facebook : [www.facebook.com/pickupnaalden](http://www.facebook.com/pickupnaalden)  
Twitter : [twitter.com/Pickupnaalden](http://twitter.com/Pickupnaalden)  
Google+ : [https://plus.google.com/+FCaris\\_pickupnaalden](https://plus.google.com/+FCaris_pickupnaalden)

**ONKYO SERVICE MANUAL**

SERIAL NO. 3154

**AUTOMATIC RETURN  
TURNTABLE  
Model CP-1022A**

UDN, UDC, UD	120V AC, 60Hz
UGV, UG	220V AC, 50Hz
UW	120 or 220V AC, 50/60Hz
UQA, UQB	240V AC, 50Hz

**SAFETY-RELATED COMPONENT WARNING!!**

COMPONENTS IDENTIFIED BY MARK  $\triangle$  ON THE SCHEMATIC DIAGRAM AND IN THE PARTS LIST ARE CRITICAL FOR RISK OF FIRE AND ELECTRIC SHOCK. REPLACE THESE COMPONENTS WITH ONKYO PARTS WHOSE PARTS NUMBERS APPEAR AS SHOWN IN THIS MANUAL.

MAKE LEAKAGE-CURRENT OR RESISTANCE MEASUREMENTS TO DETERMINE THAT EXPOSED PARTS ARE ACCEPTABLY INSULATED FROM THE SUPPLY CIRCUIT BEFORE RETURNING THE APPLIANCE TO THE CUSTOMER.

**SPECIFICATIONS**

Type:	2-speed automatic-return turntable with cueing lever
Turntable Platter:	31 cm (12-1/4") Aluminum diecast
Motor:	4 pole synchronous
Speeds:	33-1/3 rpm, 45 rpm
Wow & Flutter:	0.045% WRMS
Signal-to-Noise Ratio:	70 dB (IEC-Y, DIN-B)
Tonearm:	Static balanced straight-type pipe arm
Effective Arm Length:	210 mm (8-5/16")
Overhang:	13 mm (1/2")
Maximum Tracking Error:	+4.5 degrees, -1 degree
Usable Cartridge Weight:	Min. 5.0 g, Max. 9.0 g
Power Supply:	AC 120V, 60 Hz
Dimensions (W x H x D):	418mm x 132mm x 374mm 16-1/2" x 5-1/6" x 14-6/8"
Weight:	4.1 kg (9 lbs.)

Optional Recommended Headshell: SH-21F

In the interest of further product improvements, specifications are subject to change without notice.

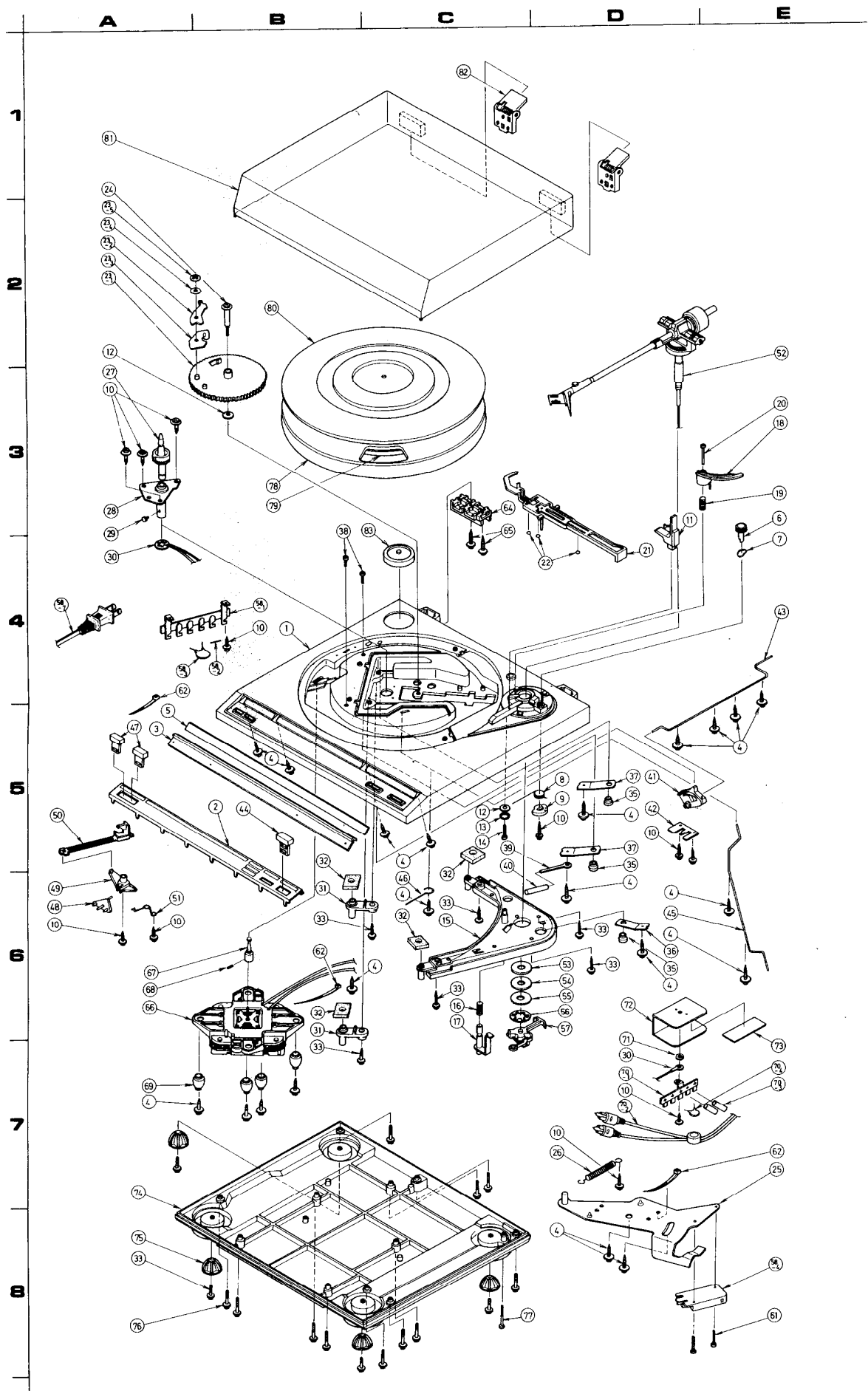
**ONKYO**  
**AUDIO COMPONENTS**

# PARTS LIST

PLACE	REF. NO.	PARTS NO.	DESCRIPTION	PLACE	REF. NO.	PARTS NO.	DESCRIPTION	PLACE	REF. NO.	PARTS NO.	DESCRIPTION
B4	1	24509290	Cabinet board	B5, B6	32	24509297	Mounting stud	B4	58-1	24506371	Terminal
B5	2	24509291	Cabinet board (B)	D5, D6	33	831430100	3TTW+10P (BC), Tapping screw	B4	58-2		Lead wire
A5	3	24509292	Operation plate	D6	35	24509298	Rubber cushion	△ B4	58-3	3500065A	0.01μF, AC400V/125V Capacitor IS
A5	3	24509292	Operation plate (B)	D5	36	24503131	Spring, plate	△ E8	58-4	24503023	Microswitch
A5	3	24509292	Cover	D5	37	24503134	Spring, plate	△	58-5	25065138	Voltage selector switch (U)
A5	4	801295	3STW+8B, Tapping screw	B4	38	833330168	3TTB+16B, Tapping screw	△ A4	58-6		Tube (U)
E3	5	24509293	Plate	C5	39		Terminal		58-7	253099A or	Power supply cable (D)
E3	6	24504399	IFC knob ass'y	C6	40	79027	Tube			24505076	Power supply cable (G/U)
E4	7	24506243	Wave washer	D5	41	24504401	Cueing lever			253083 or	Power supply cable (G/U)
D5	8	24503131	IFC spring	D5	42	24504401-1	Cueing lever (B)			24505068	Insulator sheet (G/U)
D5	9	24504271	IFC cam	D5	42	24504402	Holder for 41	59	59	24505064	Insulator sheet (G/U)
D3	10	831430088	3TTW+8B (BC), Tapping screw	E4	43	24504403	Cueing rod	60	60	24509305	Tube (G/U)
C5	11	87613008	Tonearm rest	B5	44	24504404	Reject button	E8	61	82142614	2.6P+14FN (BC), Pan head screw (D)
C5	12	871430	W3x8FN, Flat washer	D6	45	24504404-1	Reject button (B)			82142618	2.6P+16FN (BC), Pan head screw (G/U)
C5	13	871430	SW-3, Spring washer	C6	46	24503135	Reject spring	A4, B6	62		Holder
C5	14	834430208	3TTs+20 (BC), Tapping screw	A5	47	24503136	Button spring	C3	64	24506517	Holder
C6	15	24509295	Sub-base	A6	48	24504405-1	Speed button	C4	65	834430168	3TTs+16B (BC), Tapping screw
C6	16	24503011-1	Spring, button	A6	49	24504406	Change arm	△ A6	66	24502160	1M-S275-8BUFCF-11, Motor ass'y (D)
C6	17	24506660	Elevation shaft	A5	50	24509299	Belt guide			24502161	1M-S275-8BUFCF-11, Motor ass'y (G)
E3	18	24504321	Elevation plate	A6	51	24503113	Spring			24502162	1M-S275-8BUFCF-11, Motor ass'y (U)
E3	19	24503070	Spring	E2	52	24501470	Tonearm ass'y	A6	67	24502024	Motor pulley, 50Hz (D)
E3	20	82143012	3P+12FN (BC), Pan head screw			24501470-1	Tonearm ass'y (B)	A6	68	24502023	Motor pulley, 50Hz (G/U)
D4	21	270555	4mm, Steelball			24501471	Attachment screw	A7	69	24509302	Motor cushion
A2	23	24506662	Return gear ass'y			24501459	Attachment screw (B)	A7	70	24505066	Terminal ass'y
23-1	23-1	24503032	Return gear			24501321A	Attachment screw (B)	D7	70-1	24506151	Terminal
23-2	23-2	24506663	Clutch plate			24501471	Weight ass'y	D7	70-2	24500486	Output cable
23-3	23-3	24506664	Clutch guide			24501456	Headshell	E7	70-3	24505012	3x14, Tube
23-4	23-4	87613008	W3x8FN, Flat washer			24501354	Headshell (B)	E7	70-4	335124724	0.0047μF, 50V, Ceramic capacitor
23-5	23-5	891030	CS-3, CS ring			24501330	Cartridge attachment screw ass'y (D)	D7	71	87313008	TOW-3, Toothed washer
A1	24	24506537	Attachment screw			24501138	2.6x11mm, Screw	D6	72	24506208A	Shielded plate
E7	25	24506220	Operation plate (D)			24501123	Nut	E7	73	261021	Tape UL
D7	26	24503109	Spring			24500079	Washer	A7	74	27170161	Bottom board
A3	27	24502163	T.T shaft			24500067	2.6x10mm, screw (G/U)	A8	75	27275043	Leg
A3	28	24502164	T.T bearing			24501123	Nut	A8	76	834430168	3TTs+16B (BC), Tapping screw
A4	29	24502165	Stopper pin			24500079	Washer	C8	77	834430268	3TTs+26B (BC), Tapping screw
A4, D7	30	24505153	Ground wire (D)	D6	53	242954	OC-61V, Cartridge	B3	78	24502158	Turntable platter
B6	31	24509296	Lock plate	D6	54	24506546	DN-61ST, Stylus	B3	79	242129B	Belt
				D6	55	24509300	FW10x22x0.6mm, Flat washer	B2	80	24509111-1A	T.T sheet
				D6	56	24509243-1	Rubber washer	A1	81	24509279	Dust cover ass'y
				D6	57	891100	Rubber washer	C1	82	28180078	Hinge (B)
				△	58	24509301	CS-10, CS ring	C4	83	292049A	45 rpm adaptor
						24504397	Arm base ass'y	Note:			
						24504398	Switch ass'y (D)	(D) : Only 120V model			
							Switch ass'y (G)	(G) : Only 220V/240V model			
							Switch ass'y (U)	(U) : Only Universal model			
								(B) : Only black model			

NOTE: THE COMPONENTS IDENTIFIED BY MARK △ ARE CRITICAL FOR LISK OF FIRE AND ELECTRIC SHOCK. REPLACE ONLY WITH PARTS NUMBER SPECIFIED.

# EXPLODED VIEW



## SERVICE PROCEDURES

### Instruction resistance measurement

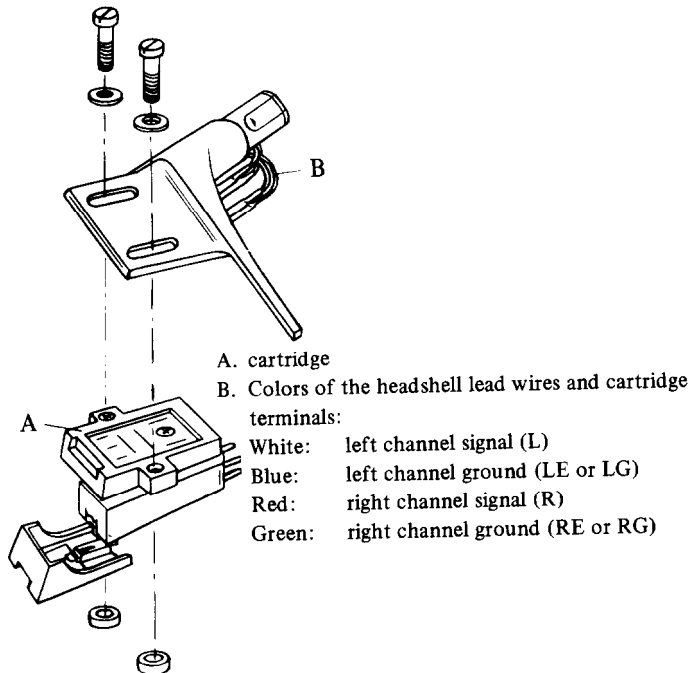
Connect the insulating-resistance tester between the plug of power supply cord and chassis.

Specifications: G/W models 500 V more than 10 M $\Omega$

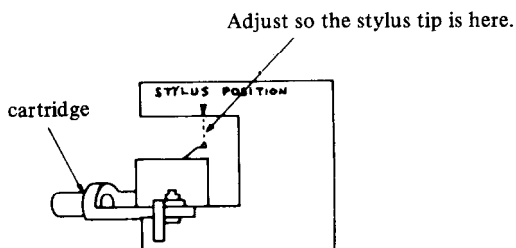
### Attaching the cartridge

Please use the included headshell when attaching the cartridge. The headshell is designed for almost all cartridges on the market today; be careful not to buy a cartridge that is not compatible. In general, cartridges with a mass of 5 – 9 grams should be employed.

Attach the cartridge as shown below, connecting each of the color coded lead wires to the proper terminal. If a mistake is made, no sound will be heard or stereo reproduction will be lost. Also, to prevent damage to the stylus during installation operations, leave its cover on or remove the stylus completely.



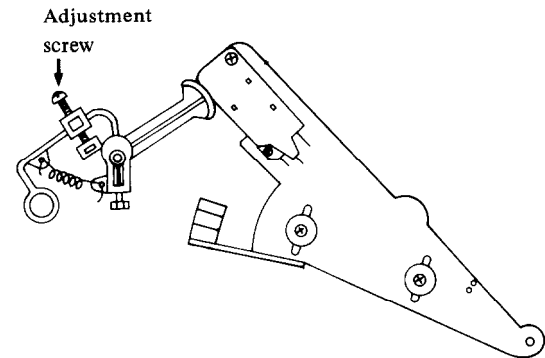
Use the included overhand gauge as shown below, placing the cartridge in the gauge and setting the location of the stylus tip as indicated.



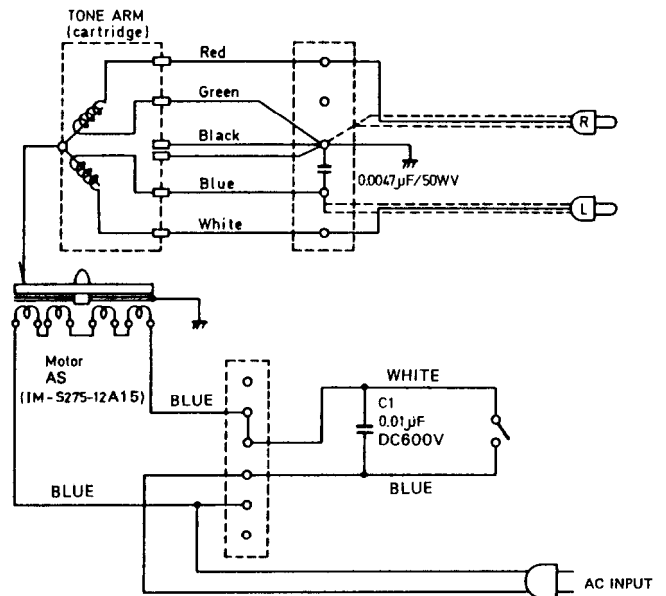
## ADJUSTMENT PROCEDURES

### Automatic shut-off position adjustment

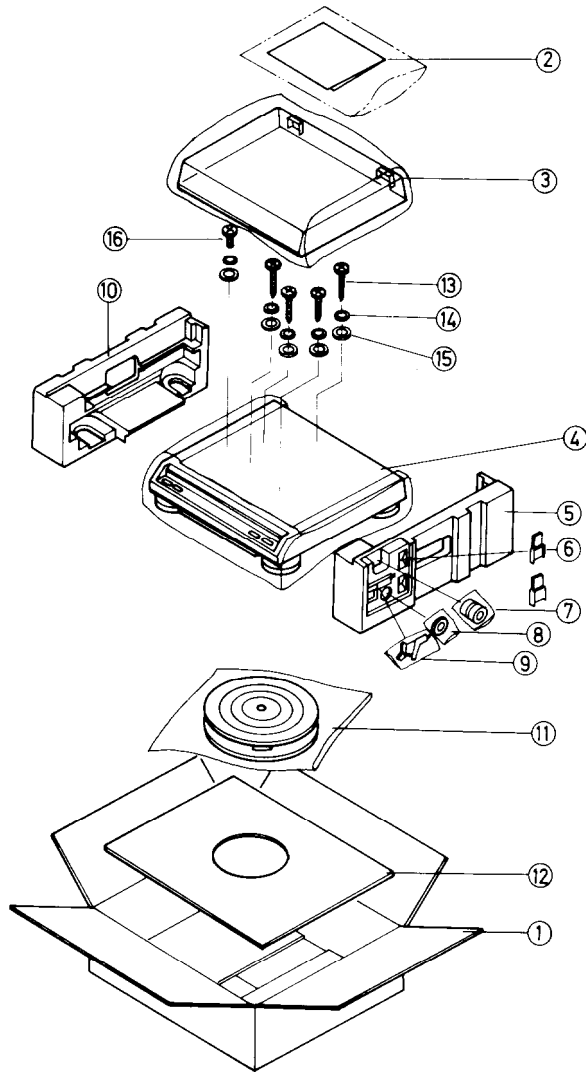
Adjust the shut-off position with the fine adjustment screw. After the adjustment, apply lock-tite to the screw. To adjust the shut-off position for earlier, turn the screw counter-clockwise. To adjust the shut-off position for later, turn the screw clockwise,



## CONNECTION DIAGRAM



# PACKING VIEW



REF. NO.	PARTS NO.	DESCRIPTION
1	29050757	Master carton box
	29050757-1	Master carton box (Black model)
2		Accessory bag complete
	<b>120V model</b>	
	29340687	Instruction manual
	24509197	Overhang gauge
	2365006-5	Warranty card (Only USA model)
	29358002	Service station list (Only USA model)
	29100005	220x330mm, Poly-vinyl bag
	<b>220V model</b>	
	29340688	Instruction manual
	24509197	Overhang gauge
	29365005-3A	Warranty card (Only West Germany model)
	29358004	Service station list (Only West Germany model)
	29100005	220x330mm, Poly-vinyl bag
	<b>Universal model</b>	
	29340688	Instruction manual
	24509197	Overhand gauge
	24502024	Pulley, 60Hz
	25055040	Conversion plug
	29100005	220x330mm, Poly-vinyl bag
3	24509297	Dust cover
	29100050	Protection sheet
4	29095012-1	500x800mm, Protection sheet
5	29090822R	Pad R
6	28180078	Hinge
7	24501471	Counter weight
8	292049A	45 rpm adaptor
9	24501330	Cartridge attachment screw ass'y (Only 120V model)
	24501456	Headshell (Only 120V model)
		Cartridge ass'y (Other models)
	29100002	70x120mm, Poly-vinyl bag for 7, 8 and 9
10	29090822L	Pad L
11	24502158	Turntable platter
	242129B	T.T mat
	29100049	350x500mm, Poly-vinyl bag
12	29095297	Pad sheet
13	24509306	4x30mm, Tapping screw
14	87714012	4.2x12x0.8mm, Washer
15	24500464	Caution card
16	24509303	Motor lock screw
	29095298	60x70mm, Poly-vinyl sheet for arm rest

## ONKYO CORPORATION

International Division: No. 24 Mori Bldg., 23-5, 3-chome, Nishi-Shinbashi, Minato-ku, Tokyo, Japan  
Telex: 2423551 ONKYO J. Phone: 03-432-6981

## ONKYO U.S.A. CORPORATION

200 Williams Drive, Ramsey, N.J. 07446 Tel. 201-825-7950

## ONKYO DEUTSCHLAND GMBH, ELECTRONICS

8034 München-Germering, Industriestrasse 18, West Germany. Telex: 521726 Telefon: (089)-84-3071