

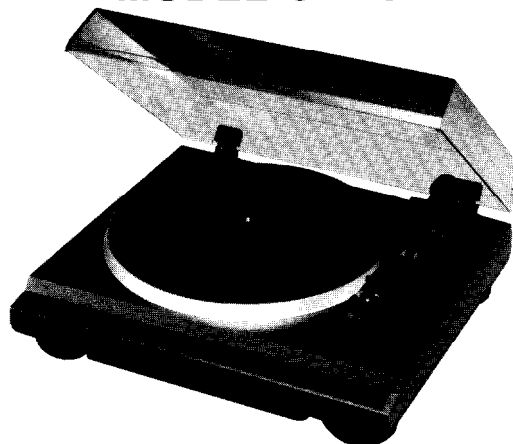


Deze download wordt u gratis aangeboden door Pick-upnaalden.nl

Web : [www.pickupnaalden.com](http://www.pickupnaalden.com)  
Email : [info@pick-upnaalden.nl](mailto:info@pick-upnaalden.nl)  
Facebook : [www.facebook.com/pickupnaalden](http://www.facebook.com/pickupnaalden)  
Twitter : [twitter.com/Pickupnaalden](http://twitter.com/Pickupnaalden)  
Google+ : [https://plus.google.com/+FCaris\\_pickupnaalden](https://plus.google.com/+FCaris_pickupnaalden)


# ONKYO SERVICE MANUAL

## AUTOMATIC RETURN TURNTABLE MODEL CP-101A



UDN, UDC, UD	120V AC, 60Hz
UPV, UP	230V AC, 50Hz
UW	120 or 220V AC, 50/60Hz
UQA	240V AC, 50Hz

### SAFETY-RELATED COMPONENT WARNING!!

COMPONENTS IDENTIFIED BY MARK  ON THE SCHEMATIC DIAGRAM AND IN THE PARTS LIST ARE CRITICAL FOR RISK OF FIRE AND ELECTRIC SHOCK. REPLACE THESE COMPONENTS WITH ONKYO PARTS WHOSE PARTS NUMBERS APPEAR AS SHOWN IN THIS MANUAL.

MAKE LEAKAGE-CURRENT OR RESISTANCE MEASUREMENTS TO DETERMINE THAT EXPOSED PARTS ARE ACCEPTABLY INSULATED FROM THE SUPPLY CIRCUIT BEFORE RETURNING THE APPLIANCE TO THE CUSTOMER.

### SPECIFICATIONS

Type:	2-speed automatic-return turntable with cueing lever
Turntable Platter:	31 cm (12-1/4") Aluminum diecast
Motor:	DC servo motor
Speeds:	33-1/3 rpm, 45 rpm
Wow & Flutter:	0.045% WRMS
Signal-to-Noise Ratio:	66 dB (IEC-Y, DIN-B)
Tonearm:	Static balanced straight-type pipe arm
Effective Arm Length:	210mm (8-5/16")
Overhang:	13mm (1/2")
Maximum Tracking Error:	+4.5 degrees, -1 degree
Cartridge:	
Type:	Moving magnet OC-74M
Frequency Response:	20Hz - 20,000Hz
Recommended Load Impedance:	47 kohms
Recommended Tracking Force:	2 grams
Output Voltage:	2.5mV
Replacement Stylus:	DN-74ST
Power Supply Rating:	AC120V, 50/60Hz
Dimensions (WxHxD):	418mmx132mmx374mm 16-1/2"x5-1/6"x14-3/4"
Weight:	3,7kg (8,2lbs.)

Optional Recommended Headshell: SH-21F

In the interest of further product improvements, specifications are subject to change without notice.

# ONKYO AUDIO COMPONENTS

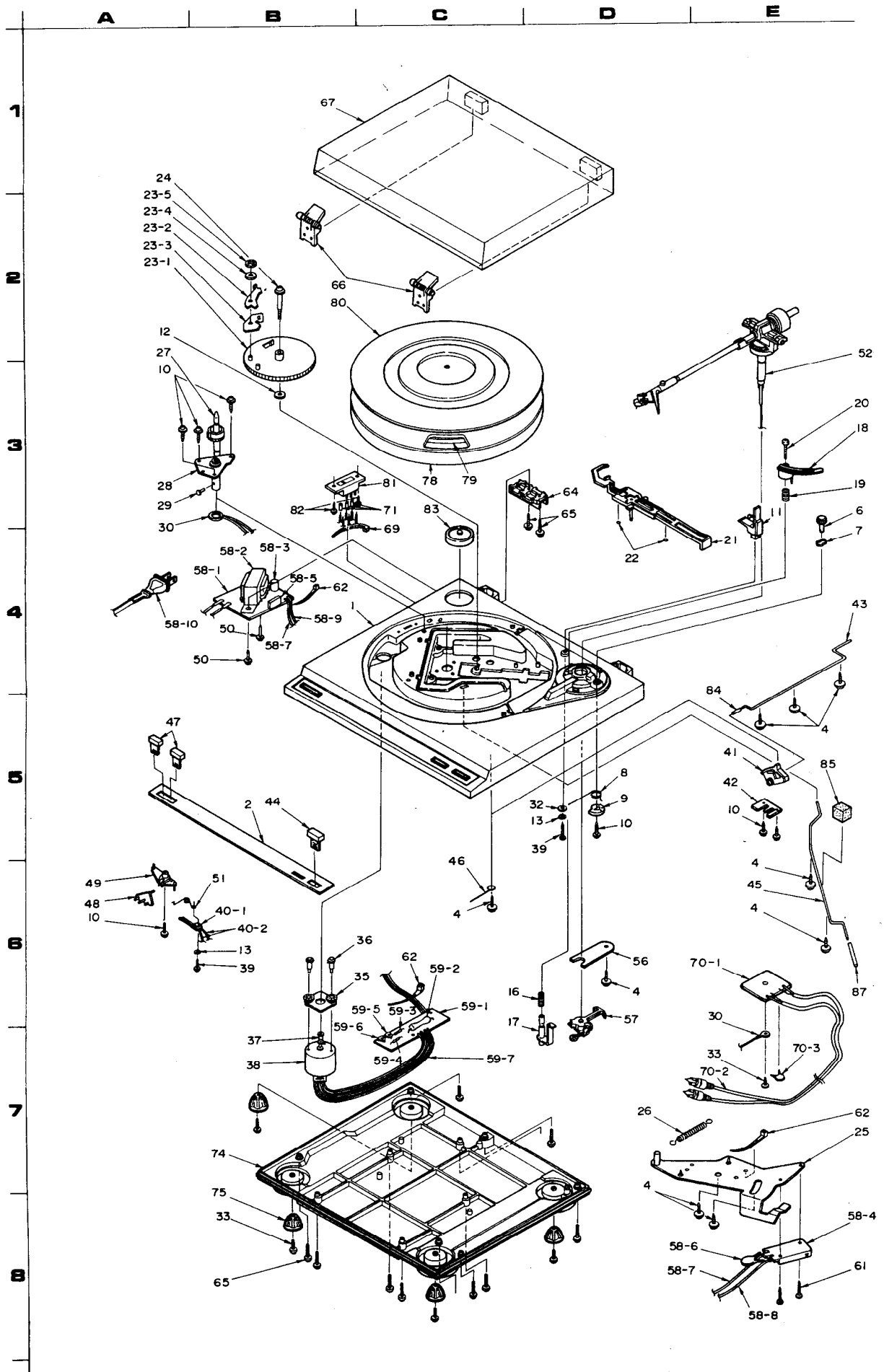
# PARTS LIST

REF. NO.	PART NO.	DESCRIPTION			
1	28110634	CABINET (BLACK)	46	24503136	SPRING (BUTTON)
	28110635	CABINET (SILVER)	47	28322098	BUTTON (SP)
2	27262550	PLATE	48	24504316	SPEED SELECTOR ARM
4	801295	TAPPING SCREW 3STW+8B	49	24504417	CAM
6	24501571	KNOB AS (I.F.C.)	50	831130128	TAP-TIGHT SCREW 3TTW+12B
7	24506243	WAVE WASHER	51	24503113	SPRING
8	24503131	SPRING (I.F.C.)	52	24501528	PU ARM
9	24504271	I.F.C. CAM	52-1	24501321A	SCREW
10	831430088	TAP-TIGHT SCREW 3TTW+8BBC	52-2	24501471	COUNTER WEIGHT
11	24509294	ARM REST AS	52-3	24501354	HEAD SHELL
12	87613008	WASHER W3x8FN	52-4	242983	OC-74M (G/U)
13	871430	SPRING WASHER SW-3 BC	52-5	242984	DN-74ST (G/U)
16	24503166	SPRING (EV)	56	24506787	PLATE (PU)
17	24506660-1	SHAFT (EL)	57	24509301	ACTUATING ARM AS
18	24504321	ELEVATION PLATE	58	24502244-5	P.C.B. AS (POWER SUPPLY) (D)
19	24503144	SPRING		24502244-6	P.C.B. AS (POWER SUPPLY) (G)
20	24505211	COSMETIC SCREW CT2.6+14		24502244-2A	P.C.B. AS (POWER SUPPLY) (U)
21	24506661	ACTUATING ARM		24502244-4	P.C.B. AS (POWER SUPPLY) (Q)
22	270555	STEEL BALL		2300176	NPT-948D (D)
23	24506662	MAIN GEAR AS 2		2300793	NPT-948P (G)
23-1	24503032	MAIN GEAR AS		2300208	NPT-948BP (U)
23-2	24506663	CLUTCH		2300207	NPT-948Q
23-3	24506664	WASHER W3x8F		354754719	470µF 25V
23-4	87613008	STOP RING CS-3		24503023	MICRO SWITCH
23-5	891030	SCREW		22380011	SQVB10
24	24506537	ACTUATING PLATE AS		335624730	0.047µF 50V
25	24506220	SPRING (OPE)		253142A	AC CORD (D)
26	24503146	PLATTER SHAFT		253149	AC CORD (G/U)
27	24502163	PLATTER SHAFT BEARING		24502207-1	P.C.B. AS (MOTOR)
28	24502164	PIN		5215044	NO8HR5KBC
29	24502165	LEAD AS (GND)		5215046	NO8HR50KBC
30	24505179-1	WASHER FW3.2x6x5		82142614	PAN-HEAD SCREW 2.6P+14FN
32	87613006	MOTOR AS		260208	SK BINDER
33	831130108	TAP-TIGHT SCREW 3TTW+10B		24506517	CORD HOLDER
35	24502247	CUSHION (MOTOR)		831430168	TAP-TIGHT SCREW 3TTW+16B
36	24506788	SCREW M2.6x6x8		28180080	HINGE (BLACK)
37	24502191	MOTOR PULLEY		24509320	DUST COVER
38	24502242	TAP-TIGHT SCREW 3TTW+12BB		24502245	P.C.B. AS (PHONO) (D)
39	834430128	LEAF SWITCH AS		24502248	P.C.B. AS (PHONO) (G/U)
40-1	24504427	LEAF SWITCH		24505253	SHIELD WIRE AS (D)
41	24603306	CUEING LEVER		24505254	SHIELD WIRE AS (G/U)
42	24504402	HOLDER (LEVER)		27170161A	BOTTOM BOARD
43	24504416	QUE ROD		27175043	LEG
44	28322097	BUTTON (REJ)		24502158	PLATTER
45	24503135	SPRING (REJ)		242129B	DRIVER BELT
				24509323	PLATTER MAT (D)
				24509378	PLATTER MAT (G/U)
				25065287	SDKGA4, SWITCH (U)
				831430108	3TTW+10B(BC), SCREW (U)
				292093	45 RPM ADAPTER
				75230	1.6φ TUBE
				24509373	CUSHION
				79003	1.7φx28 TUBE

NOTE: [D]: Only 120V model  
 [G]: Only 230V model  
 [U]: Only World model  
 [Q]: Only 240V model

NOTE: THE COMPONENT IDENTIFIED BY MARK **△** ARE CRITICAL FOR RISK OF FIRE AND ELECTRIC SHOCK. REPLACE ONLY WITH PARTS NUMBER SPECIFIED.

# EXPLODED VIEW



# SERVICE PROCEDURES

## Instruction resistance measurement

Connect the insulating-resistance tester between the plug of power supply cord and chassis.

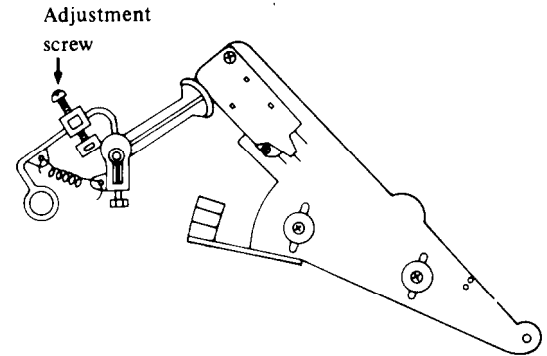
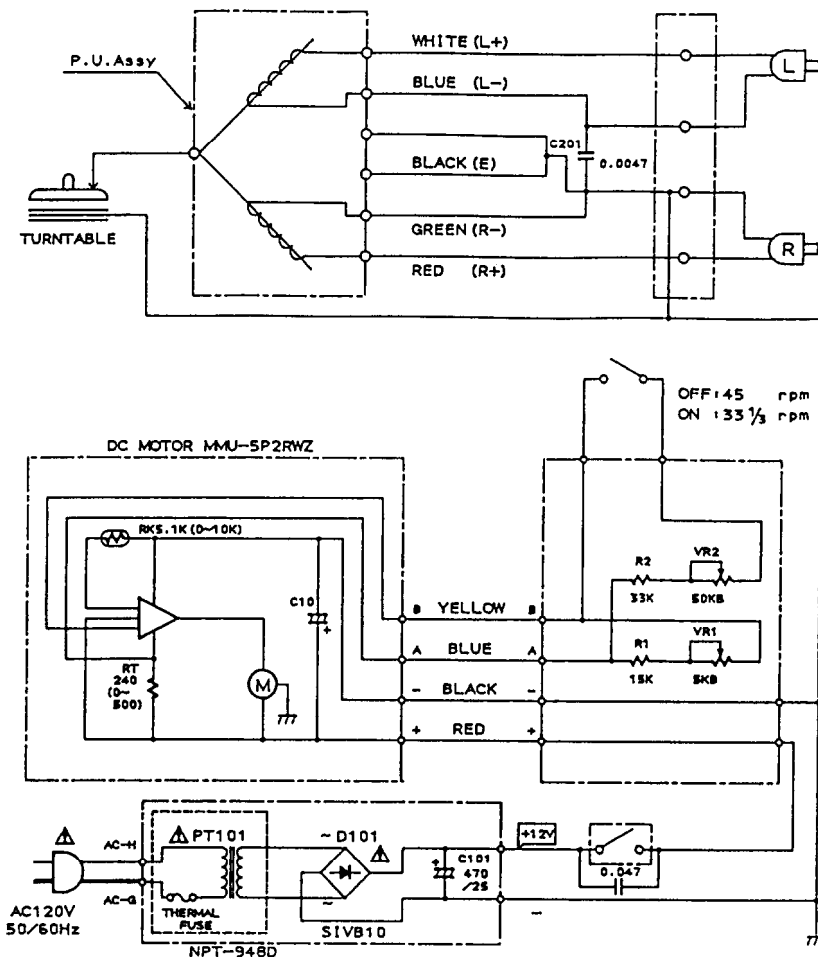
Specifications: G/W models 500 V more than 10 MΩ

# ADJUSTMENT PROCEDURES

## Automatic shut-off position adjustment

Adjust the shut-off position with the fine adjustment screw. After the adjustment, apply lock-tite to the screw. To adjust the shut-off position for earlier, turn the screw counter-clockwise. To adjust the shut-off position for later, turn the screw clockwise.

# CONNECTION DIAGRAM



POWER	PT101
AC120V 50/60Hz	NPT948D 033513
AC230V 60Hz	NPT948P 033660
AC240V 60Hz	NPT948Q 033541
AC110/120 /220/240V 50/60Hz	NPT948BP 033542

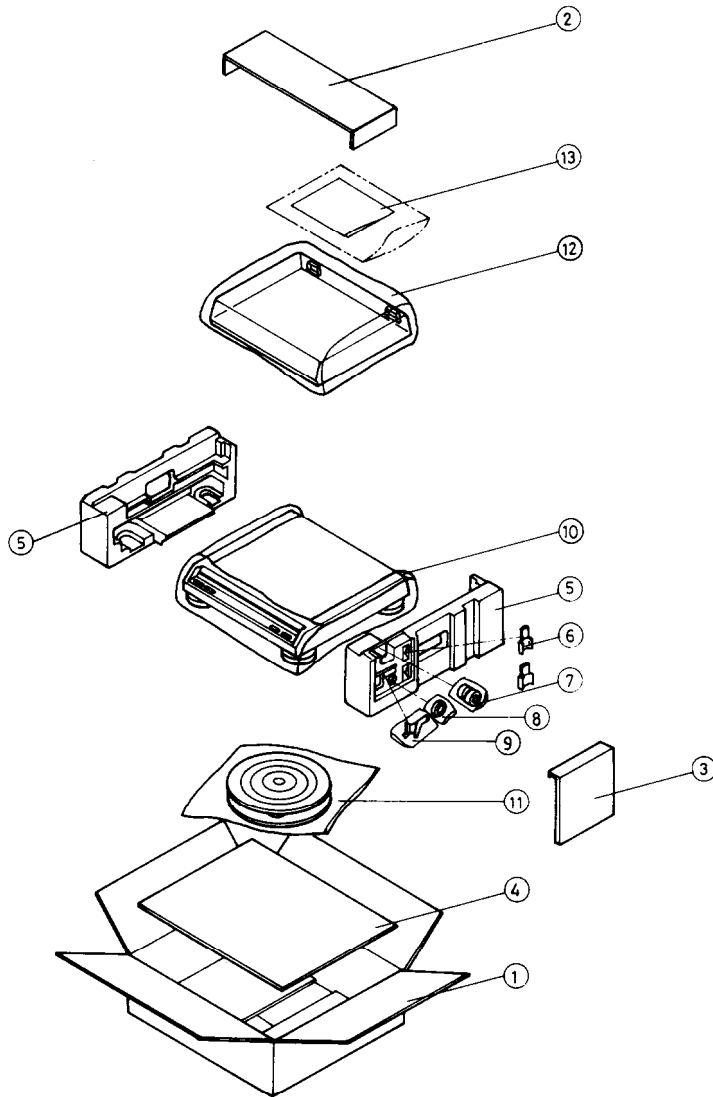
  

	230V 115V THERMAL FUSE
--	------------------------------

## NOTES

- ALL RESISTORS ARE IN OHMS 1/4WATT UNLESS OTHERWISE NOTED.
- ALL CAPASITORS ARE IN μF 50V UNLESS OTHERWISE NOTED.
- ELECTROLYTIC CAPASITORS (  $\equiv \text{||} \text{+}$  ) ARE IN μF/WV.
- VOLTAGE (MEASURED WITH V.T.V.M (NO INPUT SIGNAL)).
- CIRCUIT IS SUBJECT TO CHANGE FOR IMPROVEMENT.

# PACKING VIEW



REF. NO.	PART NO.	DESCRIPTION
1	29052397	Master carton box (Black model)
	29052398	Master carton box (Silver model)
2	24509374	Pad sheet (UP)
3	24509372	Pad sheet
4	24509370	Pad sheet (Bottom)
5	29090822	Pad(L)+Pad(R)
6	28180080	Hinge
7	24501471	Main weight
8	292049A	45 rpm adapter
9	24501330	Cartridge attachment parts ass'y
	24501354	Headshell
	29100002	70×120mm, Poly-vinyl bag for 7, 8 and 9
10	29095012-1	500×800, Protection sheet
11	24509323	T.T Mat (D)
	24509378	T.T Mat (G/U)
	24502158	Turntable platter
	29100046	370×470, Poly bag
12	24509320	Dust cover
	29100050	Protection sheet
13		Accessory bag complete

### 120V model

29341723A	Instruction manual
24509197	Overhang gauge
29365019A	Warranty card (Only USA model)
29358002J	Service station list (Only USA model)
29100006A	250×350 Poly bag

### 230V model

29341724A	Instruction manual
29365020E	Warranty card (Only West Germany model)
29100094	Poly bag
2910006A	250×350 Poly bag

### Universal model

29341724A	Instruction manual
25055040	CVK-2, Conversion plug
29100006A	250×350 Poly bag

## ONKYO CORPORATION

International Division: Onarimon Yusen Bldg., 23-5, Nishi-Shimbashi 3-chome, Minato-ku, TOKYO 105, JAPAN Tel: 03-3432-6987 Fax: 03-3436-6979

### ONKYO U.S.A CORPORATION

200 Williams Drive, Ramsey, N.J. 07446, U.S.A.  
Tel: 201-825-7950 Fax: 201-825-8150

### ONKYO Europe GmbH

Hellersbergstrasse 4, W-4040 Neuss GERMANY  
Tel: 02101 12 00 75 Fax: 02101 10 33 06 TLX: 85 17 916 ONDU D

### ONKYO DEUTSCHLAND GMBH ELECTRONICS

Industriestrasse 20, W-8034 Germering, GERMANY  
Tel: 089 84 93 20 Fax: 089 84 93 226 TLX: 05-21726 ONKY D

### ONKYO FRANCE S.A.R.L.

Immeuble Le DIAMANT, Domaine Technologique De Saclay, 4 rue Rene Razel, 91892 SACLAY, FRANCE Tel: (1)69 41 35 10 Fax: (1)69 41 35 84