



Deze download wordt u gratis aangeboden door Pick-upnaalden.nl

Web : [www.pickupnaalden.com](http://www.pickupnaalden.com)  
Email : [info@pick-upnaalden.nl](mailto:info@pick-upnaalden.nl)  
Facebook : [www.facebook.com/pickupnaalden](http://www.facebook.com/pickupnaalden)  
Twitter : [twitter.com/Pickupnaalden](http://twitter.com/Pickupnaalden)  
Google+ : [https://plus.google.com/+FCaris\\_pickupnaalden](https://plus.google.com/+FCaris_pickupnaalden)

# ONKYO SERVICE MANUAL

## AUTOMATIC RETURN TURNTABLE Model CP-1008A

UDN

120V AC, 60Hz

### SAFETY-RELATED COMPONENT WARNING!!

COMPONENTS IDENTIFIED BY MARK  $\triangle$  ON THE SCHEMATIC DIAGRAM AND IN THE PARTS LIST ARE CRITICAL FOR RISK OF FIRE AND ELECTRIC SHOCK. REPLACE THESE COMPONENTS WITH ONKYO PARTS WHOSE PARTS NUMBERS APPEAR AS SHOWN IN THIS MANUAL.

MAKE LEAKAGE-CURRENT OR RESISTANCE MEASUREMENTS TO DETERMINE THAT EXPOSED PARTS ARE ACCEPTABLY INSULATED FROM THE SUPPLY CIRCUIT BEFORE RETURNING THE APPLIANCE TO THE CUSTOMER.

### SPECIFICATIONS

Type:	2-speed automatic-return turntable with cueing lever
Turntable Platter:	31 cm (12-1/4") Aluminum diecast
Motor:	4 pole synchronous
Speeds:	33-1/3 rpm, 45 rpm
Wow & Flutter:	0.045% WRMS
Signal-to-Noise Ratio:	66 dB (DIN-B)
Tonearm:	Lightweight straight-line static balanced pipe tonearm with detachable headshell (ADC type connector) and counterweight with direct tracking force read out.
Effective Arm Length:	210 mm (8-5/16")
Overhang:	13 mm (1/2")
Maximum Tracking Error:	+4.5 degrees, -1 degree
Usable Cartridge Weight:	Min. 5.0 g, Max. 9.0 g
Cartridge:	
Type:	Induced magnet OC-66I
Frequency Response:	20 Hz - 20,000 Hz
Recommended Load Impedance:	47 kohms
Recommended Tracking Force:	2 grams
Output Voltage:	2.5 mV
Replacement Stylus:	DN-66ST
Power Supply:	AC 120V, 60 Hz
Dimensions (W x H x D):	418mm x 128mm x 374mm 16-1/2" x 5" x 14-6/8"
Weight:	3.4 kg (7.5 lbs.)

Optional Recommended Headshell: SH-21F

In the interest of further product improvements, specifications are subject to change without notice.

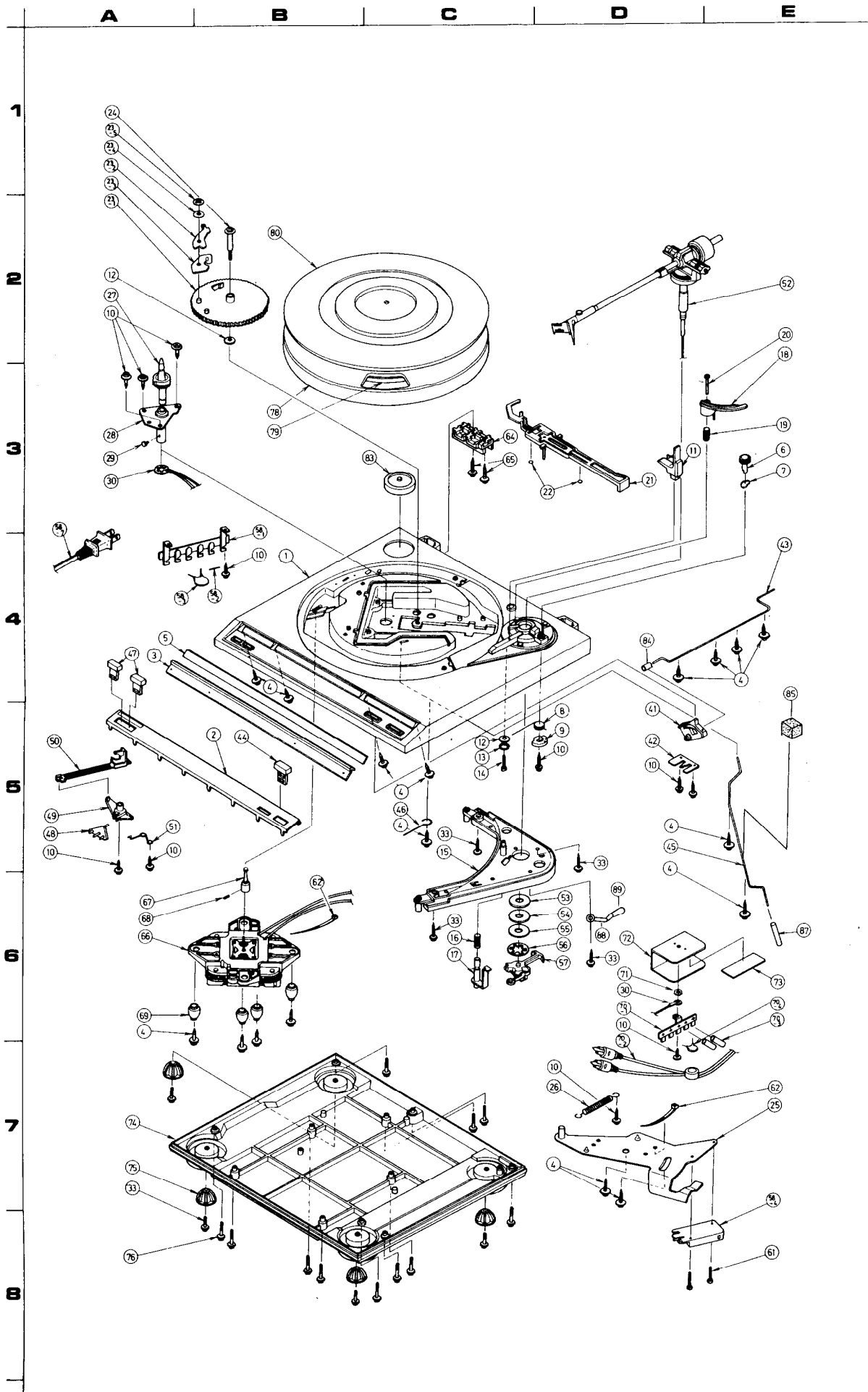
**ONKYO**  
**AUDIO COMPONENTS**

## PARTS LIST

REF.NO.	PARTS NO.	DESCRIPTION	REF.NO.	PARTS NO.	DESCRIPTION	REF.NO.	PARTS NO.	DESCRIPTION
1	28110330	CABINET	29	24502165	PIN	55	24509243-1	RUBBER WASHER 20X.5
2	27262416	PLATE (OP)	30	24505153	LEAD AS (GROUND)	56	891100	STOP RING CS-10
3	24509292-1	COVER (PLATE)	33	831430100	TAP-TIGHT SCREW 3TTW+10PB	57	24509301	ACTUATING ARM AS
4	801295	TAPPING SCREW 3STW+8B	41	24603306	CUEING LEVER	△ 58	24504396	SWITCH AS
5	27262417	PLATE	42	24504402	HOLDER (LEVER)	58-1	24506371	TERMINAL BOARD 2L4P
6	24504399	KNOB AS (I.F.C.)	43	24504403	ROD (CUE)	△ 58-3	3500065A	0.01 μF,125,CAPACITOR IS
7	24506243	WAVE WASHER	44	28322097	BUTTON (REJ)	58-4	24503023	MICRO SWITCH
8	24503131	SPRING (I.F.C.)	45	24503135	SPRING (REJ)	△ 58-7	253099A	AC CORD AS-UC-3
9	24504271	I.F.C. CAM	46	24503136	SPRING (BUTTON)	61	82142614	PAN-HEAD SCREW 2.6P+14FN
10	831430088	TAP-TIGHT SCREW 3TTW+8BBC	47	28322098	BUTTON (SP)	62	260208	SK BINDER
11	24509294	ARM REST AS	48	24504316	SPEED SELECTOR ARM	64	24506517	CORD HOLDER
12	87613005	FLAT WASHER W3×8FN	49	24504406	CAM	65	834430168	TAPPING SCREW 3TTS+16B
13	871430	SPRING WASHER SW-3 BC	50	24509299	GUIDE (BELT)	66	24502160	MOTOR AS
14	834430258	TAP-TIGHT SCREW 3TTS+25BC	51	24503113	SPRING (CLICK)	67	24502024	MOTOR PULLEY (60HZ)
15	24509295	BASE (SUB)	52	24501528	TO NEARM AS	68	81000001	SCREW 2.6×2
16	24503011-1	SPRING (BUTTON)		24501321A	SCREW	69	24509302	RUBBER CUSHION
17	24506660	SHAFT (EL)		24501471	COUNTER WEIGHT	70	24505177	LUG AS (5P)
18	24504321	ELEVATION PLATE		24501354	HEAD SHELL	70-1	24506151	LUG 5P
19	24503144	SPRING		24501330	COMBINING ACCESSORY	70-2	24505178	SHIELD WIRE AS
20	82143012	PAN-HEAD SCREW 3P+12FN BC		24501138	CARTRIDGE SCREW 2.6X11	70-4	335324725	0.0047 μF,50V,CERAMIC
21	24506661	ACTUATING ARM		24501123	CARTRIDGE NUT	71	87313008	WASHER TOW-3
22	270555	STEEL BALL		24500079	CARTRIDGE WASHER	72	24506208A	SHIELD PLATE
23	24506662	MAIN GEAR AS 2		242967	OC-66I,CARTRIDGE	73	261021	UL TAPE TUL-19
23-1	24503032	MAIN GEAR AS		242968	DN-66ST,STYLUS	74	27170161	BOTTOM BOARD
23-2	24506663	CLUTCH	53	24506546	WASHER FW10X22X.6	75	27175043	LEG
23-3	24506664	CLUTCH GUIDE	54	24509300	RUBBER WASHER	76	834430168	TAP-TIGHT SCREW 3TTS+16BB
23-4	87613008	WASHER W3X8F				78	24502158	PLATTER
23-5	891030	STOP RING CS-3				79	242129B	DRIVE BELT
24	24506537	SCREW				80	24509323	PLATTER MAT
25	24506220	ACTUATING PLATE AS				83	292049A	45 RPM ADAPTER
26	24503109	SPRING				84	75230	TUBE
27	24502163	PLATTER SHAFT				85	24509373	CUSHION
28	24502164	PLATTER SHAFT BEARING				88	24506031	TERMINAL

**NOTE:** THE COMPONENTS IDENTIFIED BY MARK **△** ARE CRITICAL FOR RISK OF FIRE AND ELECTRIC SHOCK. REPLACE ONLY WITH PARTS NUMBER SPECIFIED.

# EXPLODED VIEW



## SERVICE PROCEDURES

### Instruction resistance measurement

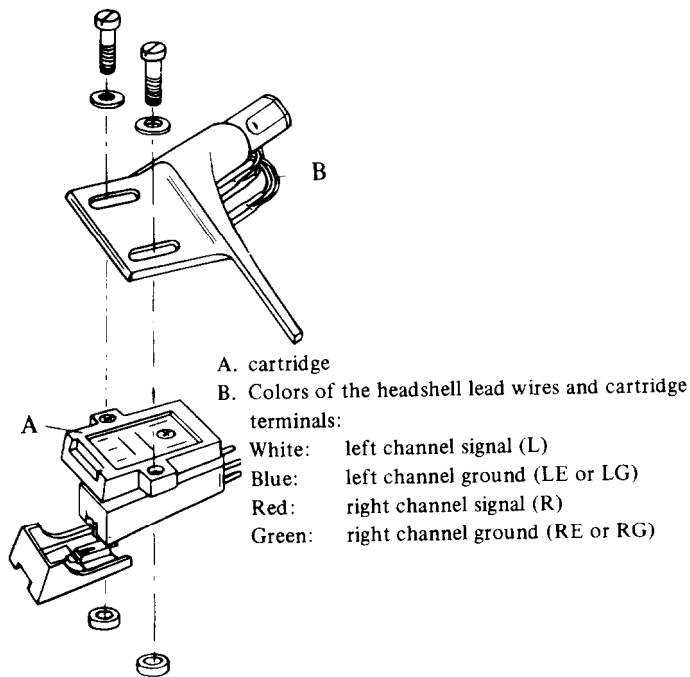
Connect the insulating-resistance tester between the plug of power supply cord and chassis.

Specifications: 500 V more than 10 MΩ

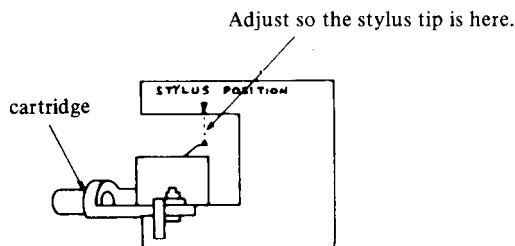
### Attaching the cartridge

Please use the included headshell when attaching the cartridge. The headshell is designed for almost all cartridges on the market today; be careful not to buy a cartridge that is not compatible. In general, cartridges with a mass of 5 – 9 grams should be employed.

Attach the cartridge as shown below, connecting each of the color coded lead wires to the proper terminal. If a mistake is made, no sound will be heard or stereo reproduction will be lost. Also, to prevent damage to the stylus during installation operations, leave its cover on or remove the stylus completely.



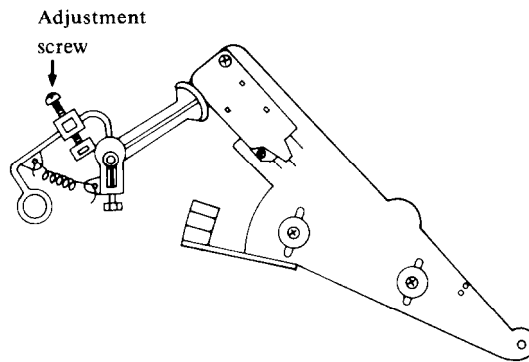
Use the included overhand gauge as shown below, placing the cartridge in the gauge and setting the location of the stylus tip as indicated.



## ADJUSTMENT PROCEDURES

### Automatic shut-off position adjustment

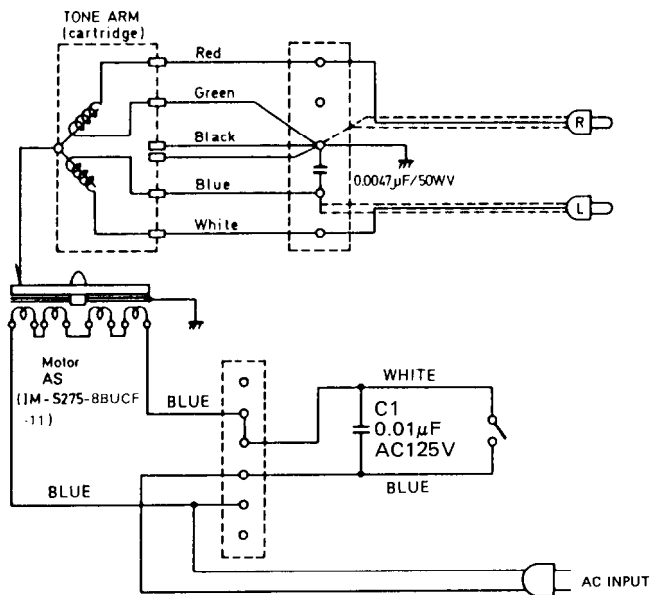
Adjust the shut-off position with the fine adjustment screw. After the adjustment, apply lock-tite to the screw. To adjust the shut-off position for earlier, turn the screw counter-clockwise. To adjust the shut-off position for later, turn the screw clockwise.



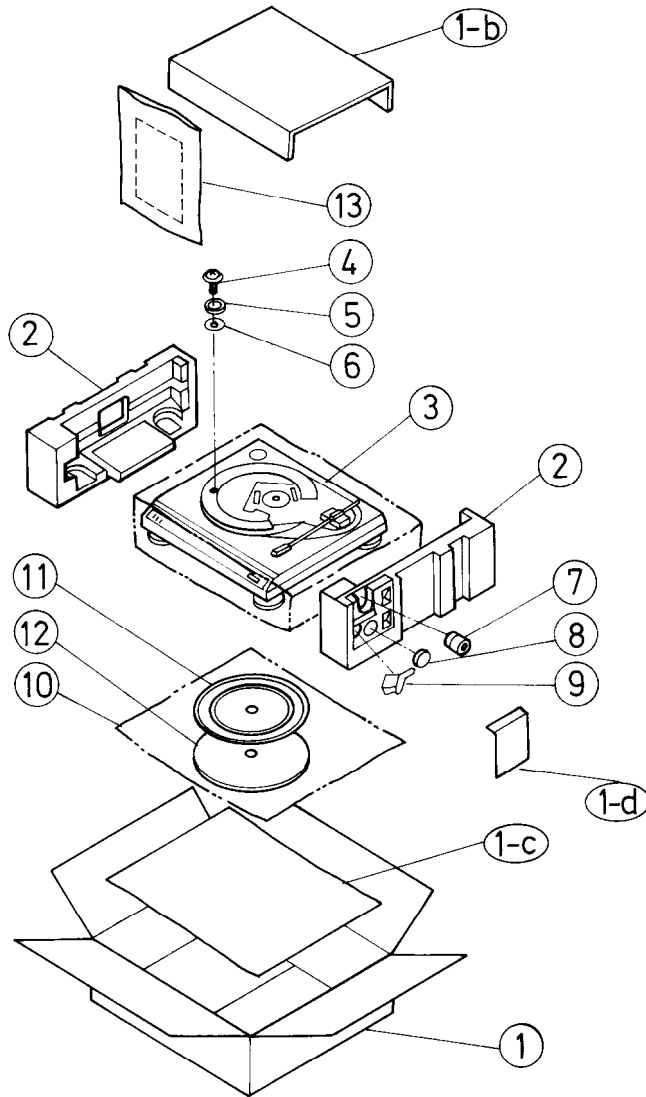
### Return count

Using test record ONK-1000. 3 m/m pitch return count is 9~16 count.

## CONNECTION DIAGRAM



# PACKING VIEW



REF.NO.	PARTS NO.	DESCRIPTION
1	29051367	MASTER CARTON BOX ASS'Y
1-b	24509371	PAD SHEET (UP)
1-c	24509370	PAD SHEET (BOTTOM)
1-d	24509372	PAD SHEET (SIDE)
2	29090822	SIDE PAD (L+R)
3	29095012-1	PROTECTION SHEET, 500 × 700
4	24509303	MOTOR LOCK SCREW
5	87714012	4.3 × 12 × 0.8, WASHER
6	24500464	CAUTION CARD
7	2910002	POLY-VINYL BAG
	24501471	COUNTER WEIGHT
8	2910002	POLY-VINYL BAG
	292049A	45 ADAPTOR
9	2910002	POLY-VINYL BAG
		HEADSELL ASS'Y
10	29100046	POLY-VINYL BAG, 350 × 500
11	24502158	PLATER
12	24509323	PLATER MAT
13		ACCESSORY BAG COMPLETE
	29341026	INSTRUCTION MANUAL
	29365006-7	WARRANTY CARD
	29358002D	SARVICE STATION LIST
	2910005	POLY-VINYL BAG, 220 × 330

## ONKYO CORPORATION

International Division: No. 24 Mori Bldg., 23-5, 3-chome, Nishi-Shinbashi, Minato-ku, Tokyo, Japan  
 Telex: 2423551 ONKYO J. Phone: 03-432-6981

## ONKYO U.S.A. CORPORATION

200 Williams Drive, Ramsey, N.J. 07446 Tel. 201-825-7950