



Deze download wordt u gratis aangeboden door Pick-upnaalden.nl

Web : www.pickupnaalden.com
Email : info@pick-upnaalden.nl
Facebook : www.facebook.com/pickupnaalden
Twitter : twitter.com/Pickupnaalden
Google+ : https://plus.google.com/+FCaris_pickupnaalden

ONKYO SERVICE MANUAL

AUTOMATIC RETURN TURNTABLE Model CP-1007A



UDN, UDC, UD	120V AC, 60Hz
UGV, UG	220V AC, 50Hz
UW	120 or 220V AC, 50/60Hz
UQA, UQB	240V AC, 50Hz

SAFETY-RELATED COMPONENT WARNING!!

COMPONENTS IDENTIFIED BY MARK \triangle ON THE SCHEMATIC DIAGRAM AND IN THE PARTS LIST ARE CRITICAL FOR RISK OF FIRE AND ELECTRIC SHOCK. REPLACE THESE COMPONENTS WITH ONKYO PARTS WHOSE PARTS NUMBERS APPEAR AS SHOWN IN THIS MANUAL.

MAKE LEAKAGE-CURRENT OR RESISTANCE MEASUREMENTS TO DETERMINE THAT EXPOSED PARTS ARE ACCEPTABLY INSULATED FROM THE SUPPLY CIRCUIT BEFORE RETURNING THE APPLIANCE TO THE CUSTOMER.

SPECIFICATIONS

Type:	2-speed automatic-return turntable with cueing lever
Turntable Platter:	31 cm (12-1/4") Aluminum diecast
Motor:	4 pole synchronous
Speeds:	33-1/3 rpm, 45 rpm
Wow & Flutter:	0.045% WRMS
Signal-to-Noise Ratio:	66 dB (IEC-Y, DIN-B)
Tonearm:	Static balanced straight-type pipe arm
Effective Arm Length:	210 mm (8-5/16")
Overhang:	13 mm (1/2")
Maximum Tracking Error:	+4.5 degrees, -1 degree
Usable Cartridge Weight:	Min. 5.0 g, Max. 9.0 g
Power Supply:	AC 120V, 60 Hz
Dimensions (W x H x D):	418mm x 132mm x 374mm 16-1/2" x 5-1/6" x 14-6/8"
Weight:	4.1 kg (9 lbs.)

Optional Recommended Headshell: SH-21F

In the interest of further product improvements, specifications are subject to change without notice.

ONKYO
AUDIO COMPONENTS

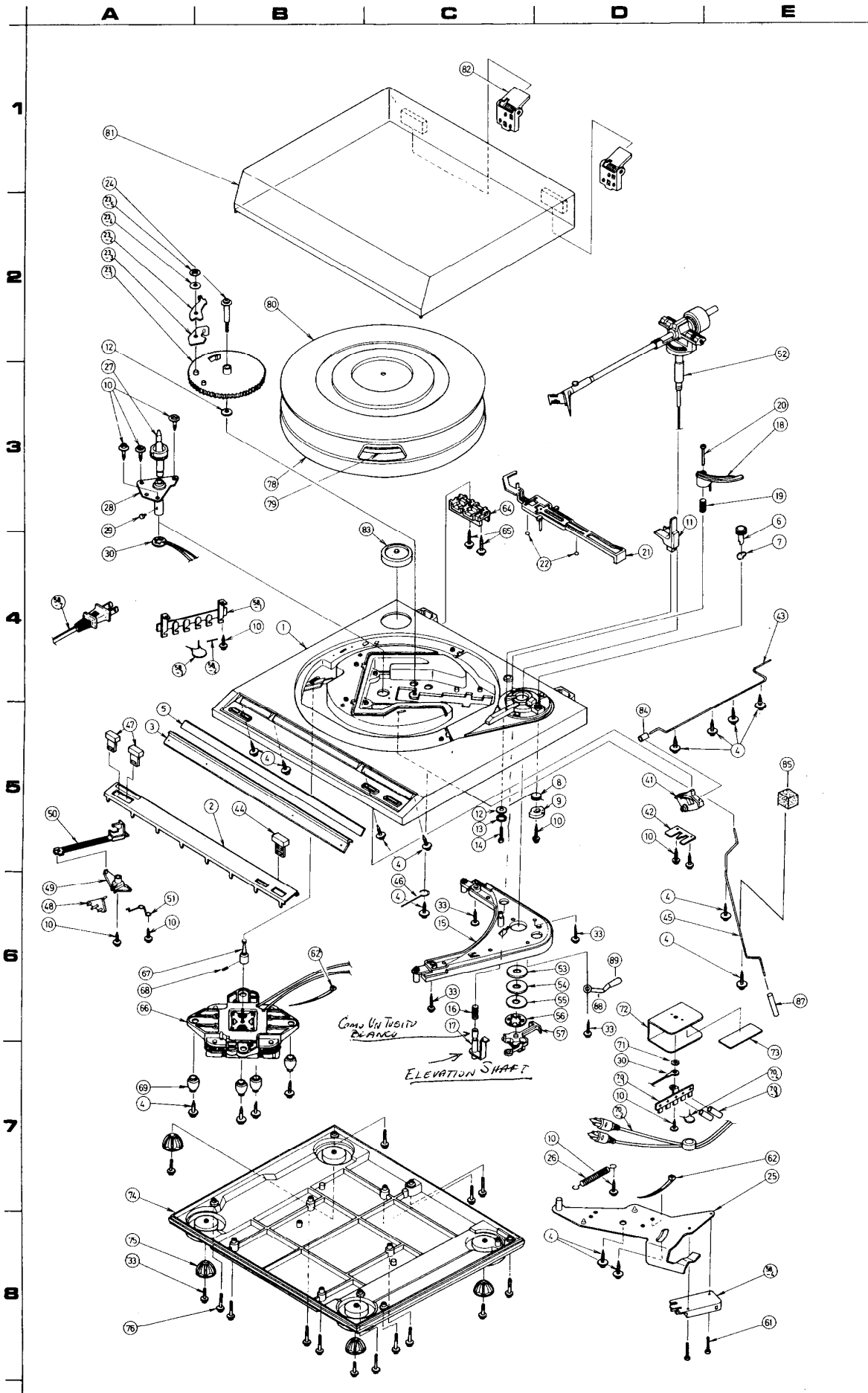
PARTS LIST

PLACE	REF. NO.	PARTS NO.	DESCRIPTION	PLACE	REF. NO.	PARTS NO.	DESCRIPTION	PLACE	REF. NO.	PARTS NO.	DESCRIPTION
B4	1	28110329	Cabinet board	B4	58-1	24506371	Terminal				
B5	2	28110330	Cabinet board (B)	B4	58-2	3500065A	Lead wire				
A5	3	28133135	Operation plate	△ B4	58-3	24503023	0.01µF, AC400V/125V Capacitor IS				
		28133137	Operation plate (B)	△ E8	58-4	25065138	Microswitch				
		24509292	Cover		58-5		Voltage selector switch (U)				
		24509292-1	Cover (B)	△ A4	58-6		Tube (U)				
A5	4	801295	3TTS+8B, Tapping screw		58-7	253099A or 24505076	Power supply cable (D)				
E3	5	28133136	Plate			253083 or 24505068	Power supply cable (G/U)				
E4	6	24504399	IFC knob ass'y		59		Insulator sheet (G/U)				
E7	7	24506243	Wave washer		60		Tube (G/U)				
D5	8	24503131	IFC spring		61		2.6P+14FN (BC), Pan head screw (D)				
D5	9	24504271	IFC cam		62		2.6P+16FN (BC), Pan head screw (G/U)				
D3	10	831430088	3TTW+8B (BC), Tapping screw	E8			Binder				
C5	11	24509294	Tonearm rest	A4, B6	62		Holder				
C5	12	87613008	W3x8FN, Flat washer	C3	64	24506517	3TTS+16B (BC), Tapping screw				
C5	13	8711430	SW-3 Spring washer	C4	65	834430168	1M-S275-8BUCF-11, Motor ass'y (D)				
C5	14	834430208	3TTS+20 (BC), Tapping screw	C4	65	24502160	1M-S275-8CF-11, Motor ass'y (G)				
C6	15	24509295	Sub-base	△ A6	66	24502161	1M-S275-8DF-11, Motor ass'y (U)				
C6	16	24503011-1	Spring, button		67	24502024	Motor pulley, 60Hz (D)				
C6	17	24506660	Elevation shaft	A6		24502023	Motor pulley, 50Hz (G/U)				
E3	18	24504321	Elevation plate	A6	68		2.6x2mm, screw				
E3	19	24503070	Spring	A6	68	24509302	Motor cushion				
E3	20	82143012	3P+12FN (BC), Pan head screw	A7	69	24505066	Terminal ass'y				
D4	21	24506661	Actuating arm	D7	70-1	24506151	Terminal				
D4	22	270555	4mm, Steelball	D7	70-2	24500486	Output cable				
A2	23	24506662	Return gear ass'y	E7	70-3	24505012	3x14, Tube				
	23-1	24503032	Return gear	E7	70-4	335124724	0.0047µF, 50V, Ceramic capacitor				
	23-2	24506663	Clutch plate	D7	71	87313008	TOW-3, Toothed washer				
	23-3	24506664	Clutch guide	D6	72	24506208A	Shielded plate				
	23-4	87613008	W3x8FN, Flat washer	E7	73	261021	Tape UL				
	23-5	891030	CS-3, CS ring	A7	74	27170161	Bottom board				
A1	24	24506537	Attachment screw	A8	75	27275043	Leg				
E7	25	24506220	Operation plate (D)	A8	76	834430168	3TTS+16B (BC), Tapping screw				
D7	26	24506665	Operation plate (G/W)	B3	78	24502158	Turntable platter				
A3	27	24502163	T.T shaft	B3	79	242129B	Belt				
A3	28	24502164	T.T bearing	B2	80	24509323	T.T sheet				
A4	29	24502165	Stopper pin	A1	81	24509320	Dust cover ass'y				
A4, D7	30	24505153	Ground wire (D)	C1	82	28180078	Hinge				
		24505151	Ground wire (G/U)	C4	83	28180079	Hinge (B)				
				D5	84	292049A	45 rpm adaptor				
				E5	85	79027	Tube				
				E6	87	79027	Cushion				
				D6	88	79027	Tube				
				D6	89	79027	Terminal				
							Tube				

Note: (D) : Only 120V model
 (G) : Only 220/240V model
 (U) : Only Universal model
 (B) : Only black model

NOTE: THE COMPONENTS IDENTIFIED BY MARK △ ARE CRITICAL FOR LIK OF FIRE AND ELECTRIC SHOCK. REPLACE ONLY WITH PARTS NUMBER SPECIFIED.

EXPLODED VIEW



SERVICE PROCEDURES

Instruction resistance measurement

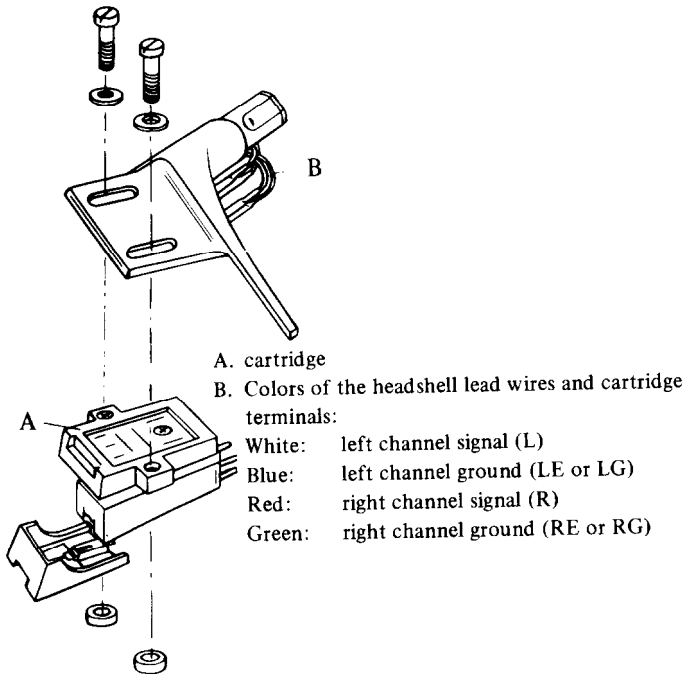
Connect the insulating-resistance tester between the plug of power supply cord and chassis.

Specifications: G/W models 500 V more than 10 MΩ

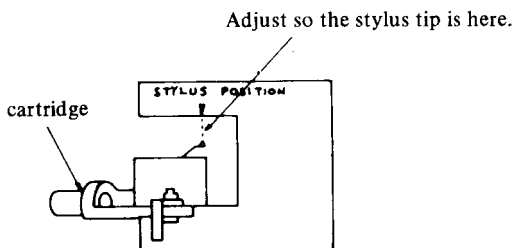
Attaching the cartridge

Please use the included headshell when attaching the cartridge. The headshell is designed for almost all cartridges on the market today; be careful not to buy a cartridge that is not compatible. In general, cartridges with a mass of 5 – 9 grams should be employed.

Attach the cartridge as shown below, connecting each of the color coded lead wires to the proper terminal. If a mistake is made, no sound will be heard or stereo reproduction will be lost. Also, to prevent damage to the stylus during installation operations, leave its cover on or remove the stylus completely.



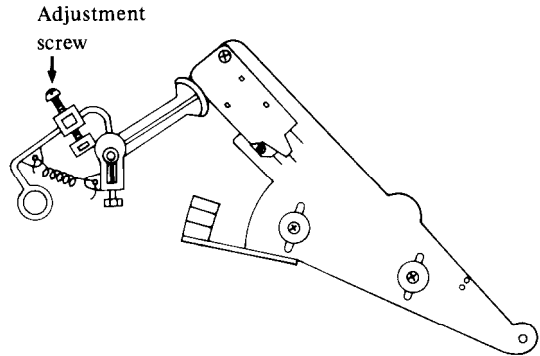
Use the included overhand gauge as shown below, placing the cartridge in the gauge and setting the location of the stylus tip as indicated.



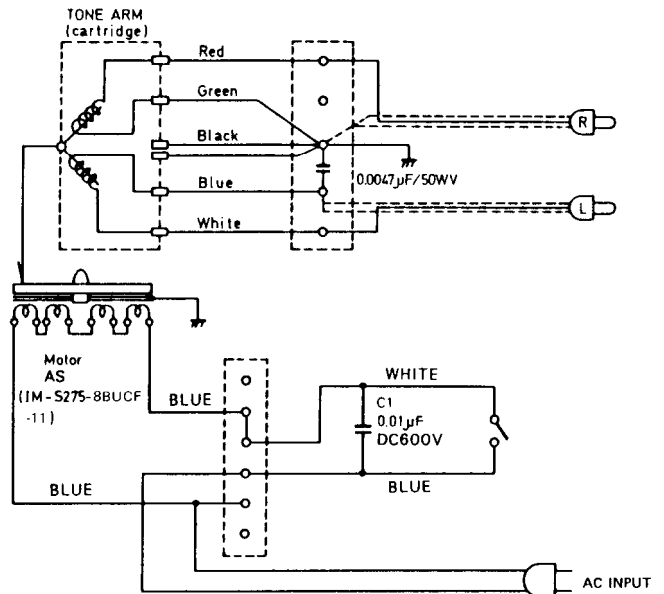
ADJUSTMENT PROCEDURES

Automatic shut-off position adjustment

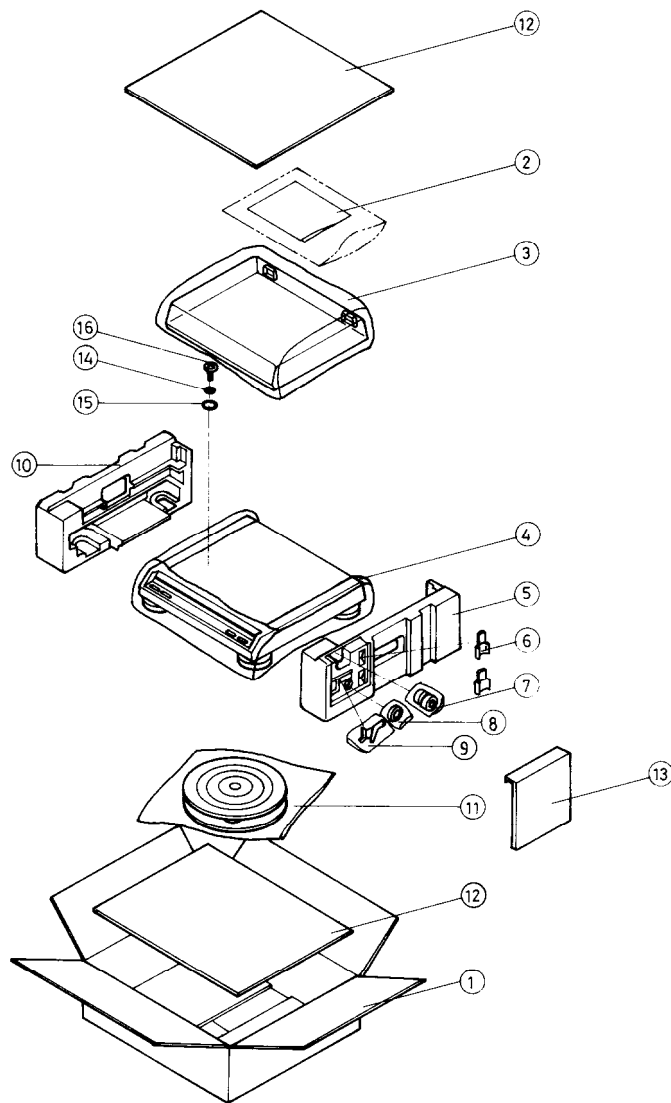
Adjust the shut-off position with the fine adjustment screw. After the adjustment, apply lock-tite to the screw. To adjust the shut-off position for earlier, turn the screw counter-clockwise. To adjust the shut-off position for later, turn the screw clockwise.



CONNECTION DIAGRAM



PACKING VIEW



REF. NO.	PART NO.	DESCRIPTION
1	29051083	Master carton box (Black Model)
	29051082	Master carton box (Silver Model)
2		Accessory bag complete
	120V model	
	29340856	Instruction manual
	24509197	Overhang gauge
	29365006-7	Warranty card (Only USA model)
	29358002C	Service station list (Only USA model)
	29100005	220x330mm, Poly-vinyl bag
	220V model	
	29340857	Instruction manual
	29365016	Warranty card (Only West Germany model)
	29100005	220x330mm, Poly-vinyl bag
	Universal model	
	29340857	Instruction manual
	24502024	Pulley, 60Hz
	25055040	Conversion plug
	29100005	220x330mm, Poly-vinyl bag
3	24509320	Dust cover
	29100050	Protection sheet
4	29095012-1	500x800mm, Protection sheet
5	29090822R	Pad R.
6	28180078	Hinge
7	24501471	Counter weight
8	292049A	45 rpm adaptor
9	24501330	Cartridge attachment screw ass'y (Only 120V model)
	24501354	Headshell (Only 120V model)
	29100002	Cartridge ass'y (Other models) 70x120mm, Poly-vinyl bag for 7, 8 and 9
10	29090822L	Pad L
11	24502158	Turntable platter
	24509323	T.T mat
	29100049	350x500mm, Poly-vinyl bag
12	29095369	Pad sheet (UP)
	29095367	Pad sheet (Bottom)
13		Pad sheet
14	87714012	4.3x12x0.8mm, Washer
15	24500464	Caution card
16	24509303	Motor lock screw
	29095298	60x70mm, Poly-vinyl sheet for arm rest

ONKYO CORPORATION

International Division: No. 24 Mori Bldg., 23-5, 3-chome, Nishi-Shinbashi, Minato-ku, Tokyo, Japan

Telex: 2423551 ONKYO J. Phone: 03-432-6981

ONKYO U.S.A. CORPORATION

200 Williams Drive, Ramsey, N.J. 07446 Tel. 201-825-7950

ONKYO DEUTSCHLAND GMBH, ELECTRONICS

8034 München-Germering, Industriestrasse 18, West Germany. Telex: 089 8493226 Telefon: (089) 84 9320