



Deze download wordt u aangeboden door **Pick-upnaalden.nl**

Fazantendreef 17-19

8251 JR Dronten

T: 0321 769022

E: info@pick-upnaalden.nl

W: www.pickupnaalden.com

W: www.pickupnaald.com

Facebook: www.facebook.com/pickupnaalden

Twitter: twitter.com/Pickupnaalden

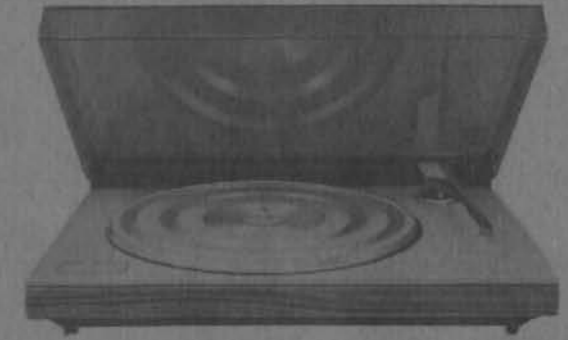
Google+ : plus.google.com/114738445546162436900

Bang & Olufsen

BEOGRAM 3400-1900

TYPE 5703-5701

//100



BANG & OLUFSEN A/S
DK - 7600 STRUER
DENMARK

TELEPHONE 07 - 85 11 22 TELEX 66529
CABLE ADDRESS BANGOLUF

3538286

d. kr. 7,50

PRINTED IN DENMARK
ApS EKSPRES-TRYKKERIET, STRUER 1-76

Form. 7246

SERVICE MANUAL



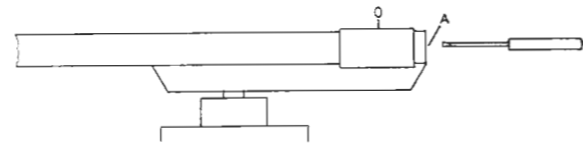
TECHNICAL DATA

	BEOGRAM 3400	BEOGRAM 1900
Type No.	5703	5701
Sound system	Stereo, matrix (CD-4)	Stereo, matrix
Output	2 x 0.6 mV	2 x 0.6 mV
Speeds	33 - 45 rpm	33 - 45 rpm
Tonearm	Radial	Radial
Pickup cartridge	MMC 5000	MMC 4000
Automatic pickup movement	Yes	Yes
Automatic speed selection	Yes	Yes
Wow and flutter, DIN	< ± 0.07%	< ± 0.07%
Wow and flutter, WRMS	< ± 0.035%	< ± 0.035%
Rumble DIN unweighted	> 42 dB	> 42 dB
Rumble DIN weighted	> 62 dB	> 62 dB
Speed deviation	< 0.1%	< 0.1%
Speed control range	> 3%	> 3%
Dial for speed	Stroboscope 120 mm	Stroboscope 120 mm
Stylus pressure range	0 - 2.5 gram	0 - 2.5 gram
Tangential tracking error	0.126° / cm	0.126° / cm
Lift system	Mechanical	Mechanical
Antiskating	Inclined channelling inside bearing	Inclined channelling inside bearing
Motor	Asynchronous	Asynchronous
Drive system	Idler wheel and belt	Idler wheel and belt
Turntable	30 cm 1 kg	30 cm 1 kg
Dust cover	Hinged	Hinged
Power supply	110 - 220 volts	110 - 220 volts
Frequency	50 Hz	50 Hz
Power consumption	10 watts	10 watts
Dimensions W x H x D	44 x 9 x 33 cm	44 x 9 x 33 cm
Weight	6 kg	6 kg
Pickup	MMC 5000	MMC 4000
Stylus	Shibata diamond	Elliptical naked diamond
Radius of curvature	CD-4 quadro	5 x 17 µm
Frequency range	20 - 15.000 Hz ± 2 dB 15 - 45 kHz A-Rating	20 - 25.000 Hz ± 1.5 dB
Channel separation 1000 Hz	> 25 dB	> 25 dB
400 - 10.000 Hz	> 20 dB	> 20 dB
Channel difference	< 1.5 dB	< 1.5 dB
Intermodulation	< 1%	< 1%
Recommended stylus pressure	1.5 gram	1 gram
Compliance	25 x 10 ⁻⁶ cm/dyn	30 x 10 ⁻⁶ cm/dyn
Effective tip mass	0.4 mg	0.4 mg
Output mV/cm/sec.	0.6 mV/47 kohms	0.6 mV/47 kohms

Subject to change without notice

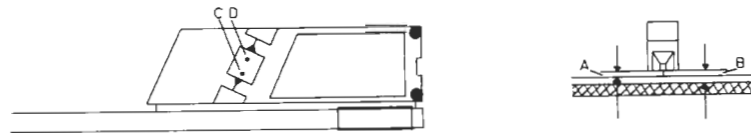
CONTENTS	Sec.	Page
Technical data	1	1
Diagram	2	
Adjustments	3	
Motor height	3	1
Pickup height	3	1
Pickup arm balance	3	2
Pickup parallelism	3	2
Pickup arm touch-down	3	2
Parts list	4	
Beogram 3400	4	1
Beogram 1900	4	8
Service tips	5	
Pickup arm mounting	5	1

Pickup arm balance



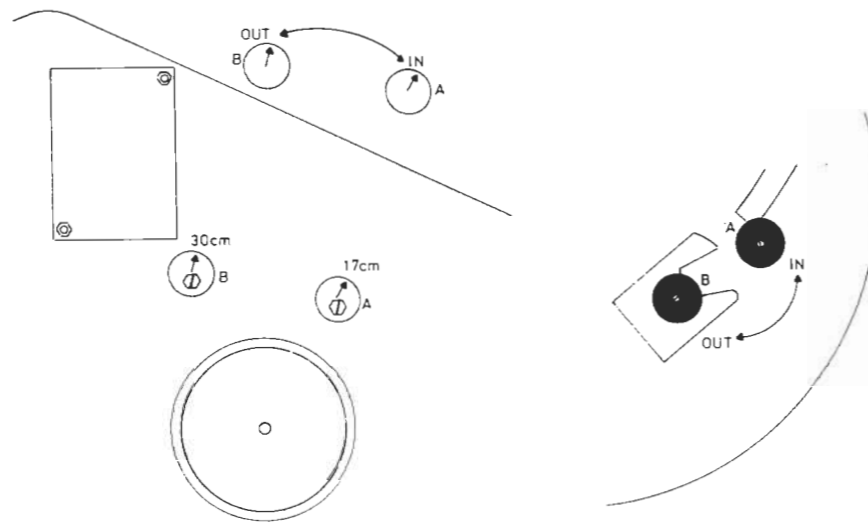
Set the stylus-force adjustment slider to the 0 position.
 Adjust screw A so that the pickup arm is exactly in balance. Thereafter adjust stylus force to 1.5 grams (1 gram for Beogram 1900).

Pickup parallelism

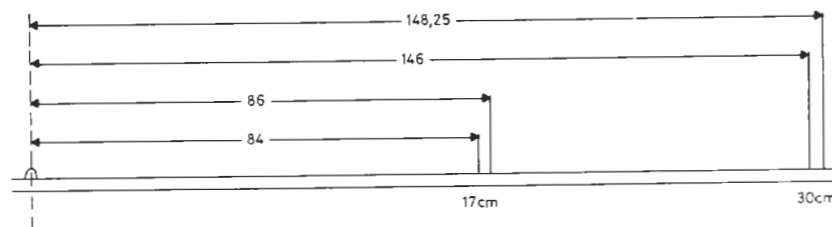


Adjust screws C and D so that distances A and B are identical and the plane portion of the pickup is parallel with the top side of the record. Perform adjustment with counterbalance weight inserted.

Pickup arm touch-down



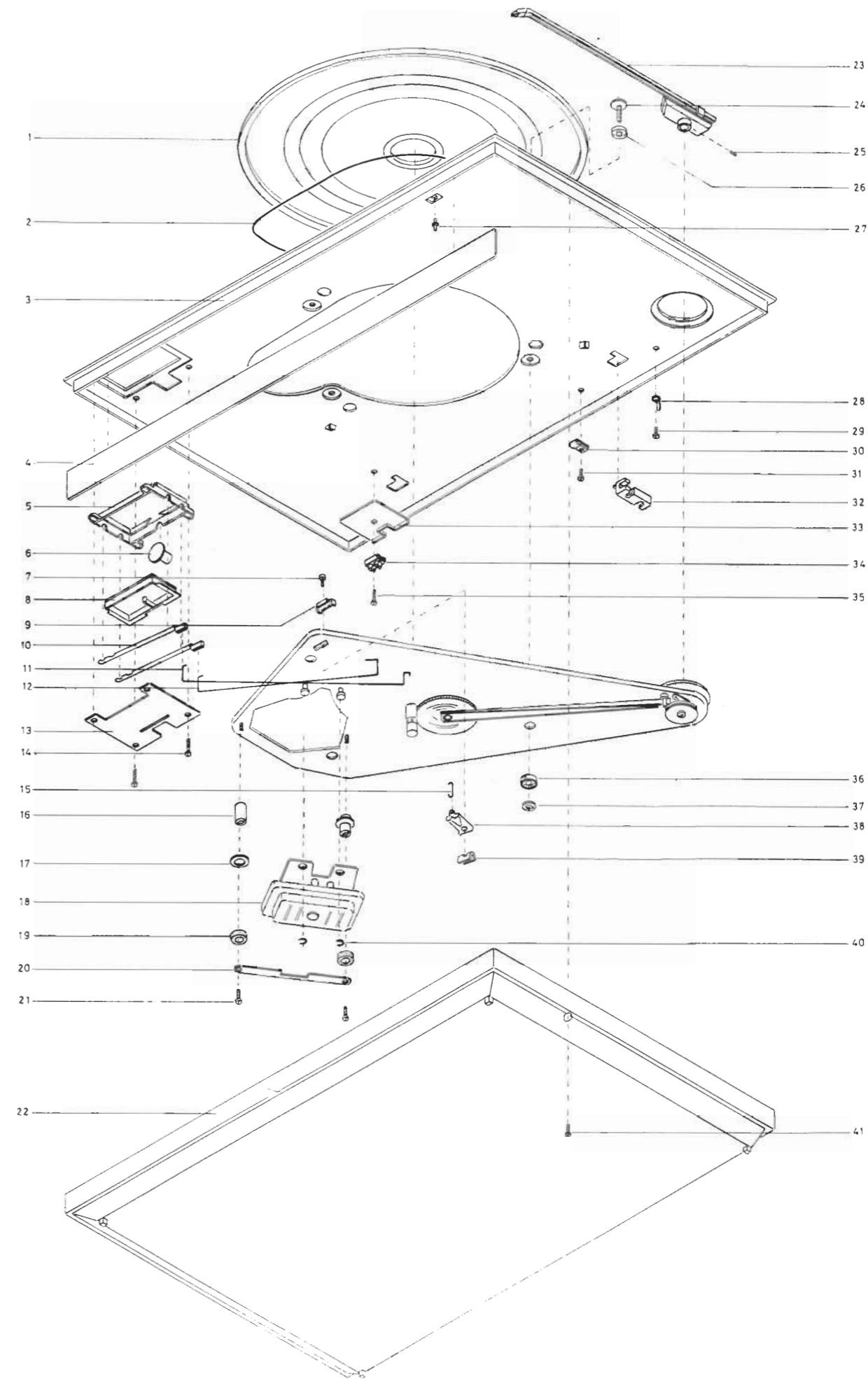
With "45" activated adjust eccentric A so that the pickup during automatic cueing will lower inside the field marked 17 cm in the sketch. Adjust eccentric B so that the pickup lowers into the field marked 30 cm with "33" activated.

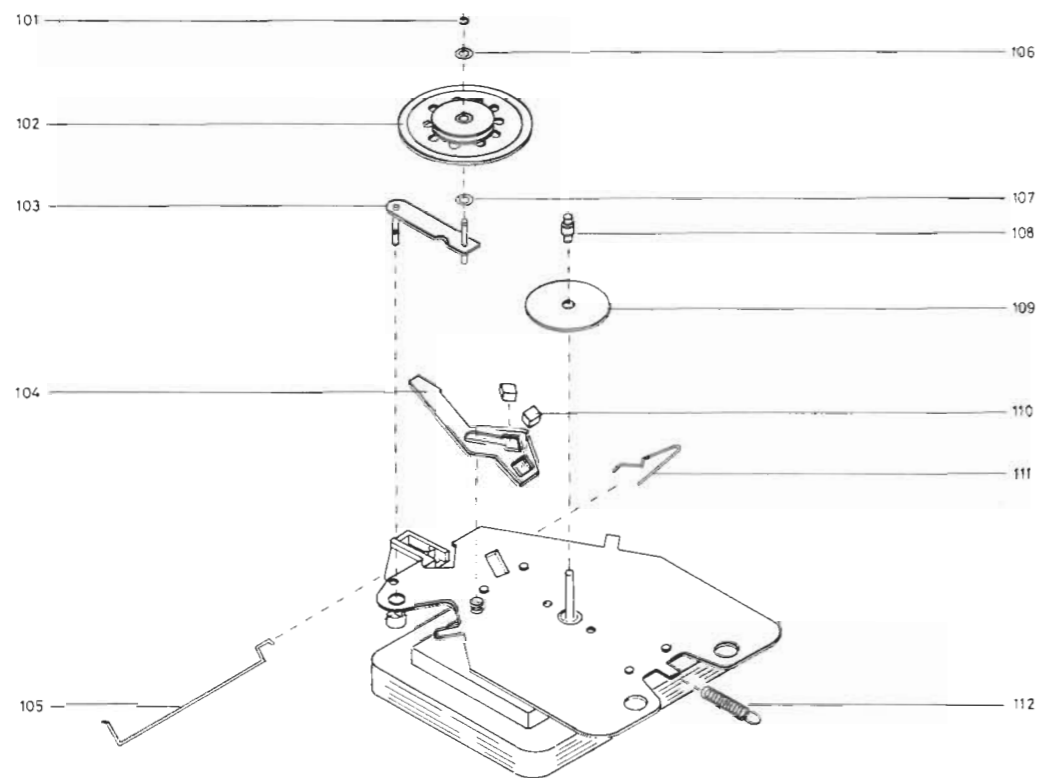


A series of horizontal lines for taking notes, spanning the right side of the page.

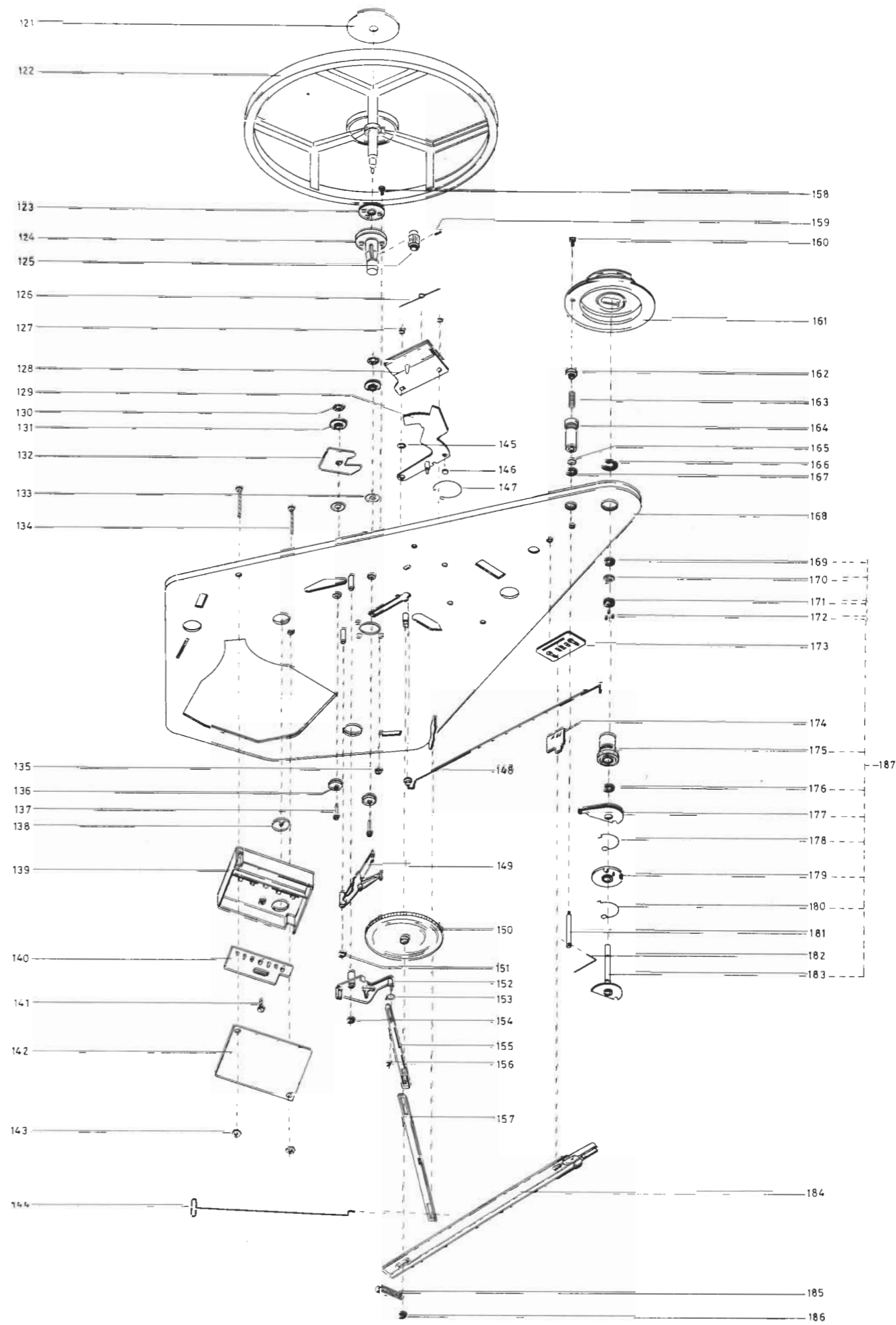
PARTS LIST FOR BEOGRAM 3400,
TYPE 5703

- 1 2726088 Turntable
- 2620063 Felt
- 2 2732035 Drive belt
- 3 3458159 Top plate complete
- 4 3412261 Cabinet, teak
- 3412263 Cabinet, rosewood
- 3412265 Cabinet, white
- 5 3152164 Holder
- 6 2770164 Knob
- 7 2042209 Screw AM 4 x 10 DIN 84
- 8 2775448 Control knob
- 9 2640031 Clamp
- 10 2854042 Gear lever
- 11 2570051 Arm, ON-OFF
- 12 2570052 Arm, TURN
- 13 3152204 Holder
- 14 2038220 Screw AM 3 x 12 DIN 84
- 15 2514028 Hook
- 16 2576080 Spacer
- 17 2620061 Washer (transport)
- 18 8400085 Motor
- 19 2938113 Bushing (foam rubber)
- 20 2542416 Bracket
- 21 2042209 Screw AM 4 x 10 DIN 84
- 22 3454172 Bottom
- 23 2850068 Pickup arm, complete
- 24 2046204 Screw, transit protection device
- 25 2072707 Threaded pin AM 3 x 6
- 26 2938110 Washer for transit protection device
- 27 3341013 Stopper
- 28 7530005 Solder tag
- 29 2038208 Screw AM 3 x 5 DIN 84
- 30 2510067 Clamp
- 31 2038203 Screw AM 3 x 4 DIN 84
- 32 2515024 Clamp
- 33 3172069 Insulating piece
- 34 7505003 Connection block
- 35 2038220 Screw AM 3 x 12 DIN 84
- 36 2938100 Bushing, lock
- 37 2622228 Washer
- 38 2815007 Leaf spring
- 39 2640032 Clamp
- 40 2390046 Lock disc
- 41 2043207 Screw AM 4 x 6 DIN 7985





- 101 2390002 Locking ring
- 102 2804034 Idler wheel
- 103 2851089 Arm
- 104 2854047 Arm
- 105 2570053 Arm
- 106 2620060 Washer
- 107 2620060 Washer
- 108 2804035 Stepped pulley
- 109 2622241 Washer
- 110 3356030 Magnet
- 111 2819115 Spring
- 112 2810079 Spring



- 121
- 122
- 123
- 124
- 125
- 126
- 127
- 128
- 129
- 130
- 131
- 132
- 133
- 134
- 135
- 136
- 137
- 138
- 139
- 140
- 141
- 142
- 143
- 144
- 145
- 146
- 147
- 148
- 149
- 150
- 151
- 152
- 153
- 154
- 155
- 156
- 157
- 158
- 159
- 160
- 161
- 162
- 163
- 164
- 165
- 166
- 167
- 168
- 169
- 170
- 171
- 172
- 173
- 174
- 175
- 176
- 177
- 178
- 179
- 180
- 181
- 182
- 183
- 184
- 185
- 186

- 121 2805019 Washer
- 122 2794064 Flywheel
- 123 2905060 Washer
- 124 3150037 Bearing bushing
- 125 2700014 Gear-wheel
- 126 2819114 Friction spring
- 127 2390002 Locking ring
- 128 3014025 Friction plate
- 129 3014031 Arm positioning guide
- 130 2395030 Locking ring
- 131 2938088 Washer
- 132 3014033 Arm positioning guide
- 133 2622198 Washer
- 134 2038268 Screw AM 3 x 25 DIN 84
- 135 2380013 Nut M3
- 136 2803005 Eccentric
- 137 2992048 Pin
- 138 2770168 Knob for mains-voltage switch
- 139 3131128 Housing for contact
- 140 7536030 Tagstrip
- 5001001 Resistor 10 ohms 10%
1/2W
- 4010050 Capacitor 10 nF / 265 V
- 141 2038208 Screw AM 3 x 5 DIN 84
- 142 3162097 Cover
- 143 2380013 Nut M3
- 144 2570057 Arm
- 145 2622136 Washer
- 146 3035020 Plastic foot
- 147 2819075 Spring
- 148 2850057 Arm
- 149 2853046 Hammer, complete
- 150 3017011 Cam-lifting wheel
- 151 2390002 Locking ring
- 152 2853050 Release
- 153 2620060 Washer
- 154 2390002 Locking ring
- 155 2852034 Arm
- 156 2390066 Locking ring
- 157 2852033 Arm
- 158 2038220 Screw AM 3 x 12 DIN 84
- 159 2361019 Locking pin
- 160 2038208 Screw AM 3 x 5 DIN 84
- 161 2623030 Lifting ring
- 162 2389041 Nut
- 163 2812063 Spring
- 164 3130054 Lifting device
- 165 2938103 Ring
- 166 2390069 Locking ring
- 167 2390065 Locking ring
- 168 3110007 Chassis
- 169 2390033 Locking ring
- 170 3152186 Ball holder
- 171 2938114 Bushing
- 172 2917017 Ball
- 173 7459014 Contact (silent)
- 7530072 Solder tag
- 174 7459015 Contact (slide valve)
- 175 2938115 Pile bearing
- 176 2390033 Locking ring
- 177 2851088 Arm
- 178 2819106 Spring
- 179 2750018 Clutch disc
- 180 2819107 Spring
- 181 2850083 Lifting bar
- 182 2530326 Bracket
- 183 2938116 Pile
- 184 2852032 Lifting arm
- 185 2810082 Spring
- 186 2390002 Locking ring
- 187 2938111 Pickup bearing complete

PARTS NOT SHOWN

- 6270182 Pickup lead mounted
- 6271047 Mains lead
- 3152171 Transit protection device for pickup arm
- 3391463 Outer earthen
- 3391464 Top/bottom insert
- 3397251 Foam packing
- 3397252 Foam packing, lid insert

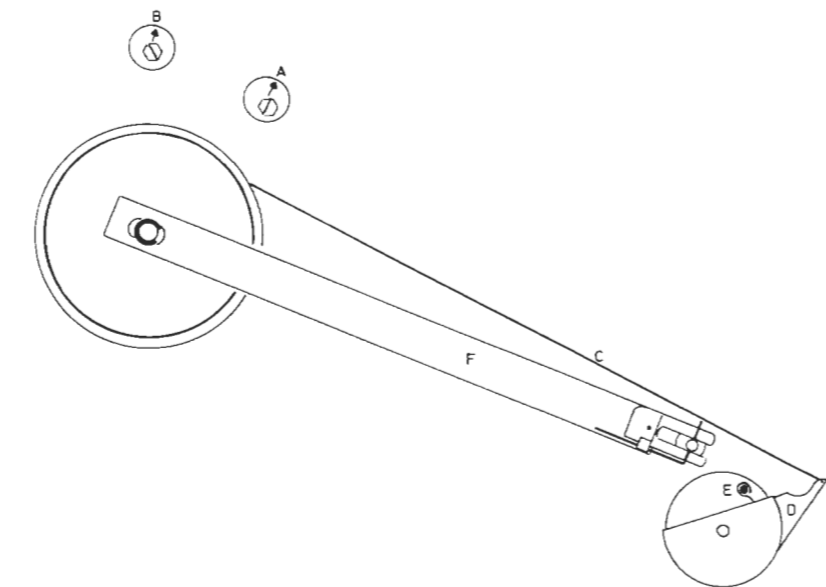
PARTS LIST FOR BEOGRAM 1900, TYPE 5701

- 3 3458161 Top plate, complete
- 4 3412264 Cabinet, oak
- 55 8954410 Pickup unit

Other parts as for Beogram 3400

SERVICE TIPS

Pickup arm mounting

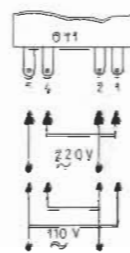
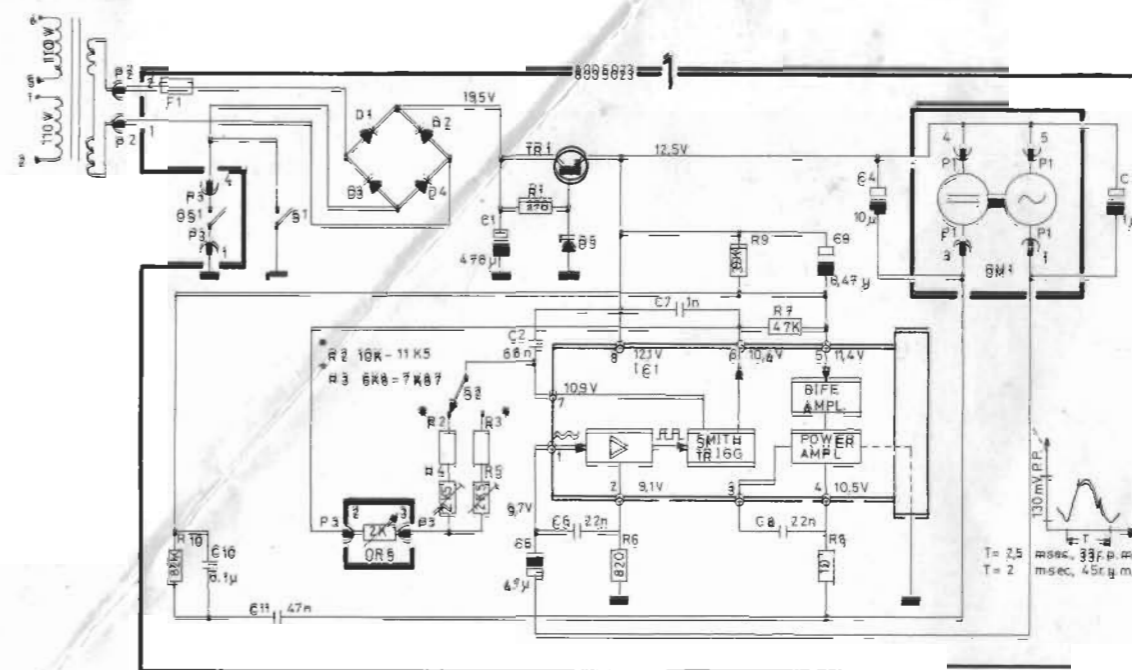


Set eccentric screws A and B so that the arrows are at right angles to arm F, as shown in the sketch.
Activate "45".

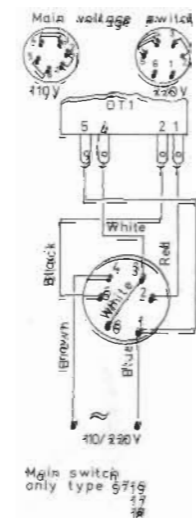
Rotate the turntable until clutch D stops its travel. Hold the cueing arm C in this position. Move the pickup arm in to the touch-down position for 17 cm records, and clamp the pickup arm.

Coarse adjustment of pickup touch-down can be made by turning eccentric pin E, using a pair of flat-nose pliers.

Fine adjustment is performed as described above, with eccentric screws A and B.



571X

Main switch
only type 5715

BEOGRAM 1500, TYPE 5714

1	2726113	Pladetekker	Turntable
3	3458205	Topplade samt Riemenscheibe	Top plate complete
22a	2722026	Riemenscheibe	Top plate comp pully
24a	8954640	Tonabnehmer MMC 20S (replacement)	Pick-up MMC 20S (replacement)
37	8013201	Netztransformator	Main transformer
76	2853057	Åbøser	Release
136	3164317	Støvlag	Dust cover

Ovrige dele som Beogram 1102,
type 5715

Other parts as Beogram 1102,
type 5715

1	2726113	Pladetekker	Turntable
3	3458205	Åbdeckplade komplet	Top plate complete
22a	2722026	Riemenscheibe	Top plate comp pully
24a	8954640	Tonabnehmer MMC 20S (replacem)	Pick-up MMC 20S (replacem)
37	8013201	Netztransformator	Main transformer
76	2853057	Åbøser	Release
136	3164317	Åbdeckhæbe	Dust cover

Øvrige Teile wie Beogram 1102, Type 5715