



Deze download wordt u aangeboden door **Pick-upnaalden.nl**

Fazantendreef 17-19

8251 JR Dronten

T: 0321 769022

E: [info@pick-upnaalden.nl](mailto:info@pick-upnaalden.nl)

W: [www.pickupnaalden.com](http://www.pickupnaalden.com)

W: [www.pickupnaald.com](http://www.pickupnaald.com)

Facebook: [www.facebook.com/pickupnaalden](http://www.facebook.com/pickupnaalden)

Twitter: [twitter.com/Pickupnaalden](https://twitter.com/Pickupnaalden)

Google+ : [plus.google.com/114738445546162436900](https://plus.google.com/114738445546162436900)

Bang & Olufsen

BEOGRAM 3400-1900

TYPE 5703-5701

*//100*



BANG & OLUFSEN A/S  
DK - 7600 STRUER  
DENMARK

TELEPHONE 07 - 85 11 22 TELEX 66529  
CABLE ADDRESS BANGOLUF

3538286

d. kr. 7,50

PRINTED IN DENMARK  
ApS EKSPRES-TRYKKERIET, STRUER 1-76

Form. 7246

SERVICE MANUAL



## TECHNICAL DATA

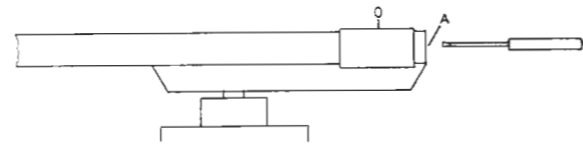
	BEOGRAM 3400	BEOGRAM 1900
Type No.	5703	5701
Sound system	Stereo, matrix (CD-4)	Stereo, matrix
Output	2 x 0.6 mV	2 x 0.6 mV
Speeds	33 - 45 rpm	33 - 45 rpm
Tonearm	Radial	Radial
Pickup cartridge	MMC 5000	MMC 4000
Automatic pickup movement	Yes	Yes
Automatic speed selection	Yes	Yes
Wow and flutter, DIN	< ± 0.07%	< ± 0.07%
Wow and flutter, WRMS	< ± 0.035%	< ± 0.035%
Rumble DIN unweighted	> 42 dB	> 42 dB
Rumble DIN weighted	> 62 dB	> 62 dB
Speed deviation	< 0.1%	< 0.1%
Speed control range	> 3%	> 3%
Dial for speed	Stroboscope 120 mm	Stroboscope 120 mm
Stylus pressure range	0 - 2.5 gram	0 - 2.5 gram
Tangential tracking error	0.126° / cm	0.126° / cm
Lift system	Mechanical	Mechanical
Antiskating	Inclined channelling inside bearing	Inclined channelling inside bearing
Motor	Asynchronous	Asynchronous
Drive system	Idler wheel and belt	Idler wheel and belt
Turntable	30 cm 1 kg	30 cm 1 kg
Dust cover	Hinged	Hinged
Power supply	110 - 220 volts	110 - 220 volts
Frequency	50 Hz	50 Hz
Power consumption	10 watts	10 watts
Dimensions W x H x D	44 x 9 x 33 cm	44 x 9 x 33 cm
Weight	6 kg	6 kg
Pickup	MMC 5000	MMC 4000
Stylus	Shibata diamond	Elliptical naked diamond
Radius of curvature	CD-4 quadro	5 x 17 µm
Frequency range	20 - 15.000 Hz ± 2 dB 15 - 45 kHz A-Rating	20 - 25.000 Hz ± 1.5 dB
Channel separation 1000 Hz	> 25 dB	> 25 dB
400 - 10.000 Hz	> 20 dB	> 20 dB
Channel difference	< 1.5 dB	< 1.5 dB
Intermodulation	< 1%	< 1%
Recommended stylus pressure	1.5 gram	1 gram
Compliance	25 x 10 <sup>-6</sup> cm/dyn	30 x 10 <sup>-6</sup> cm/dyn
Effective tip mass	0.4 mg	0.4 mg
Output mV/cm/sec.	0.6 mV/47 kohms	0.6 mV/47 kohms

Subject to change without notice

CONTENTS	Sec.	Page
Technical data .....	1	
Diagram .....	2	
Adjustments .....	3	
Motor height .....	3	1
Pickup height .....	3	1
Pickup arm balance .....	3	2
Pickup parallelism .....	3	2
Pickup arm touch-down .....	3	2
Parts list .....	4	
Beogram 3400 .....	4	1
Beogram 1900 .....	4	8
Service tips .....	5	
Pickup arm mounting .....	5	1

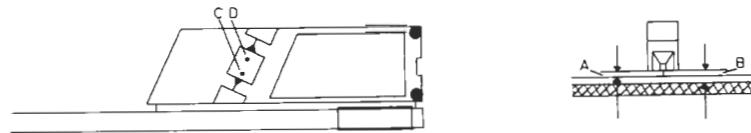


Pickup arm balance



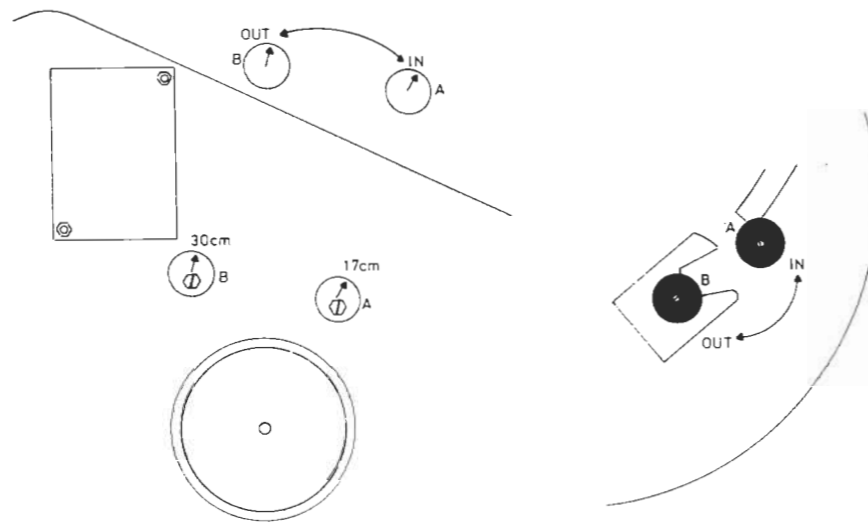
Set the stylus-force adjustment slider to the 0 position.  
 Adjust screw A so that the pickup arm is exactly in balance. Thereafter adjust stylus force to 1.5 grams (1 gram for Beogram 1900).

Pickup parallelism

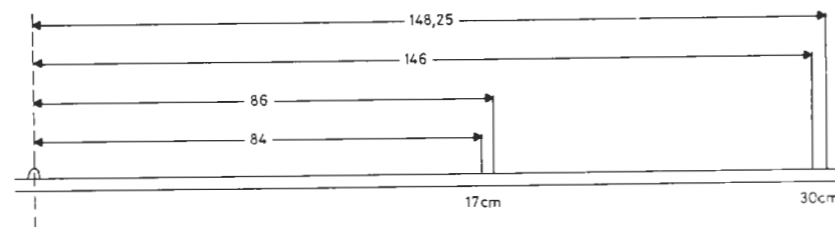


Adjust screws C and D so that distances A and B are identical and the plane portion of the pickup is parallel with the top side of the record. Perform adjustment with counterbalance weight inserted.

Pickup arm touch-down



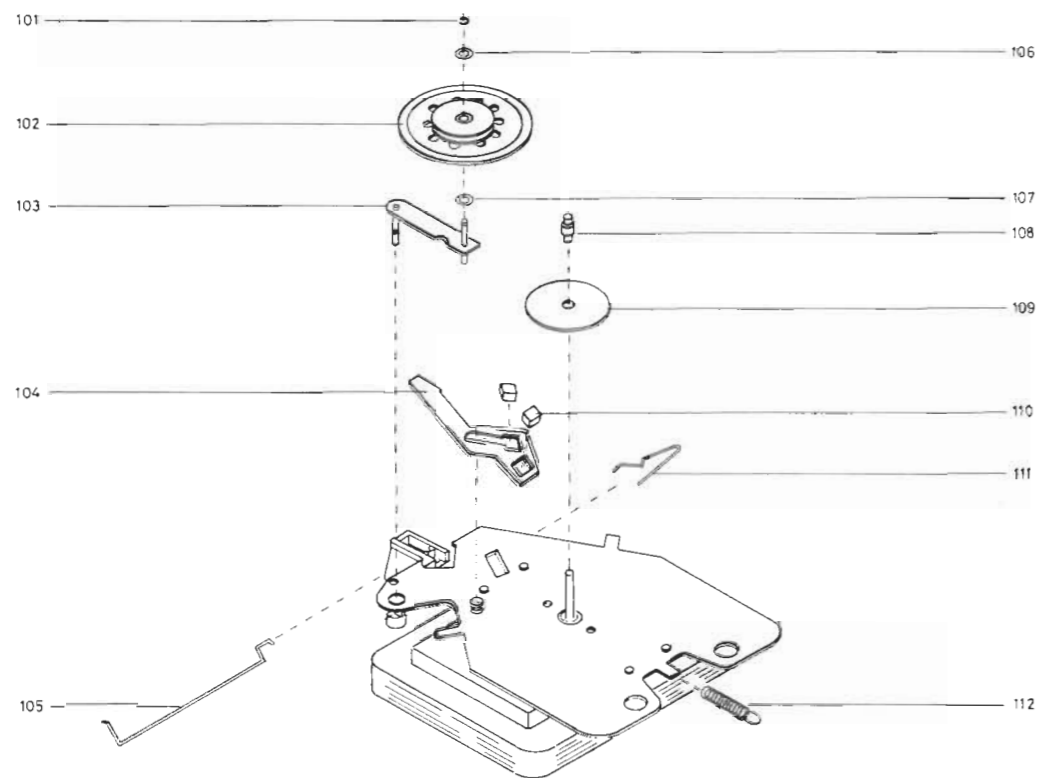
With "45" activated adjust eccentric A so that the pickup during automatic cueing will lower inside the field marked 17 cm in the sketch. Adjust eccentric B so that the pickup lowers into the field marked 30 cm with "33" activated.



A series of horizontal lines for taking notes, spanning the right side of the page.







- 101 2390002 Locking ring
- 102 2804034 Idler wheel
- 103 2851089 Arm
- 104 2854047 Arm
- 105 2570053 Arm
- 106 2620060 Washer
- 107 2620060 Washer
- 108 2804035 Stepped pulley
- 109 2622241 Washer
- 110 3356030 Magnet
- 111 2819115 Spring
- 112 2810079 Spring

